

Cross Section Drawing

StyleLine Horizontal Slider Window 1" Fin Set Back w/ Stucco Key



Clearly the best.™

CAD File Scale
NTS

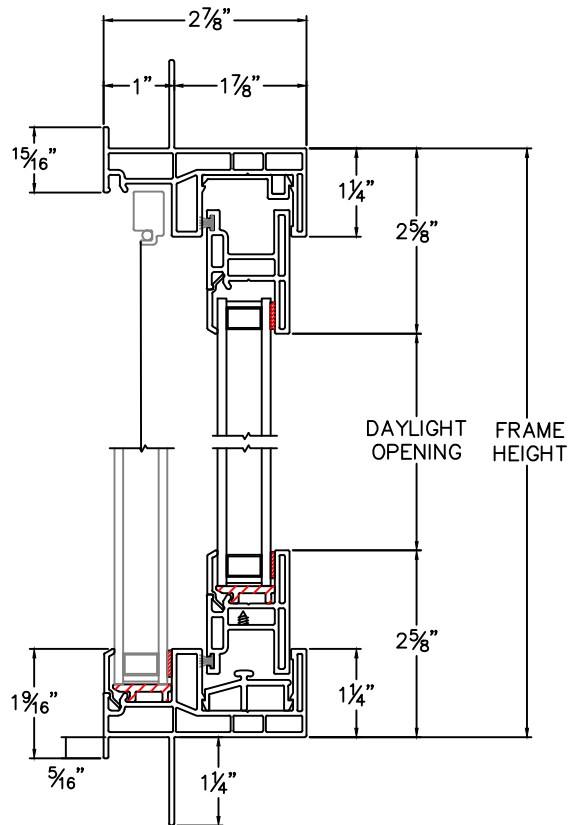
View
Horizontal & Vertical

File Name
6130-01HS

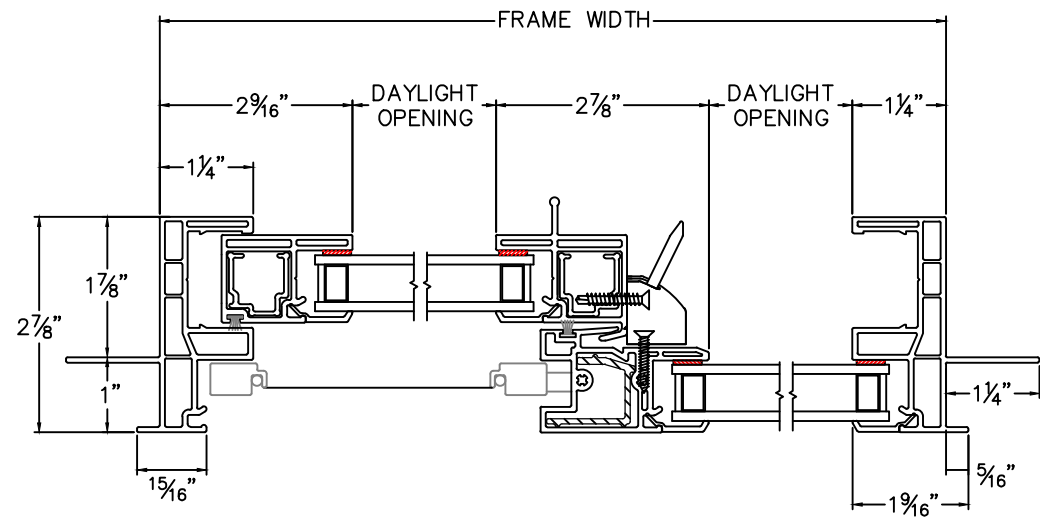
Units
Inch

More Technical Documents can be found at milgard.com/professionals
Due to continual research and development, details may be changed at any time. ©2013 Milgard Mfg.

HORIZONTAL SLIDER SERIES 6130



HEAD & SILL



JAMBS