

Cross Section Drawing

StyleLine Picture Window, Step Frame 1" Fin Set Back w/ Stucco Key



Clearly the best.™

CAD File Scale
NTS

View
Horizontal & Vertical

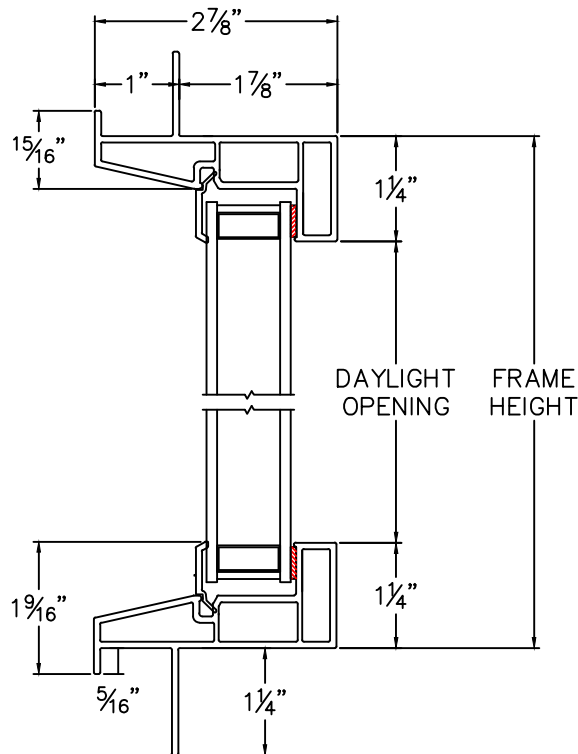
File Name
6330-01

Units
Inch

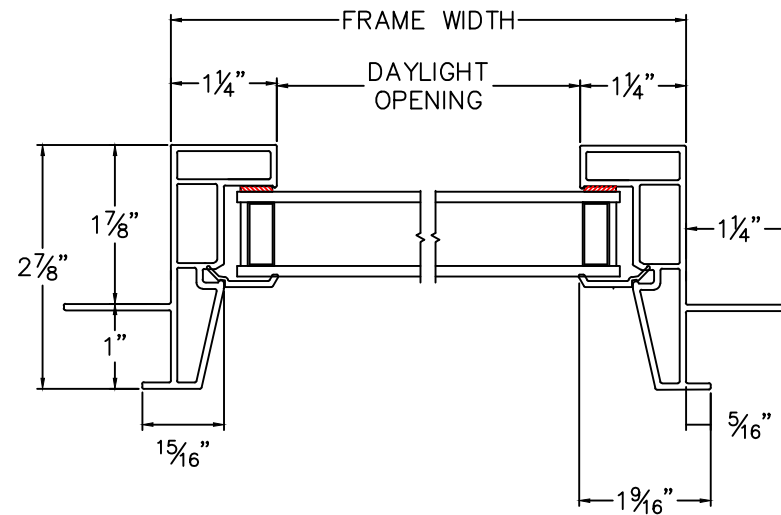
More Technical Documents can be found at milgard.com/professionals

Due to continual research and development, details may be changed at any time. ©2013 Milgard Mfg.

PICTURE WINDOW SERIES 6330



HEAD & SILL



JAMBS