

**Cross Section Drawing**  
**Tuscany Bay Window**  
**1 3/8" Fin Setback**



*Clearly the best.™*

CAD File Scale  
NTS

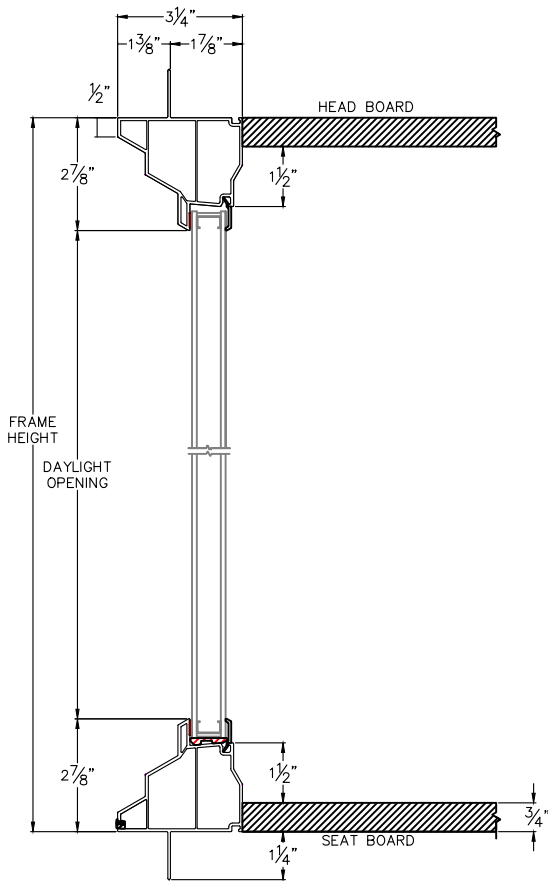
View  
Horizontal & Vertical

File Name  
Tuscany\_8000\_Bay\_1.375in

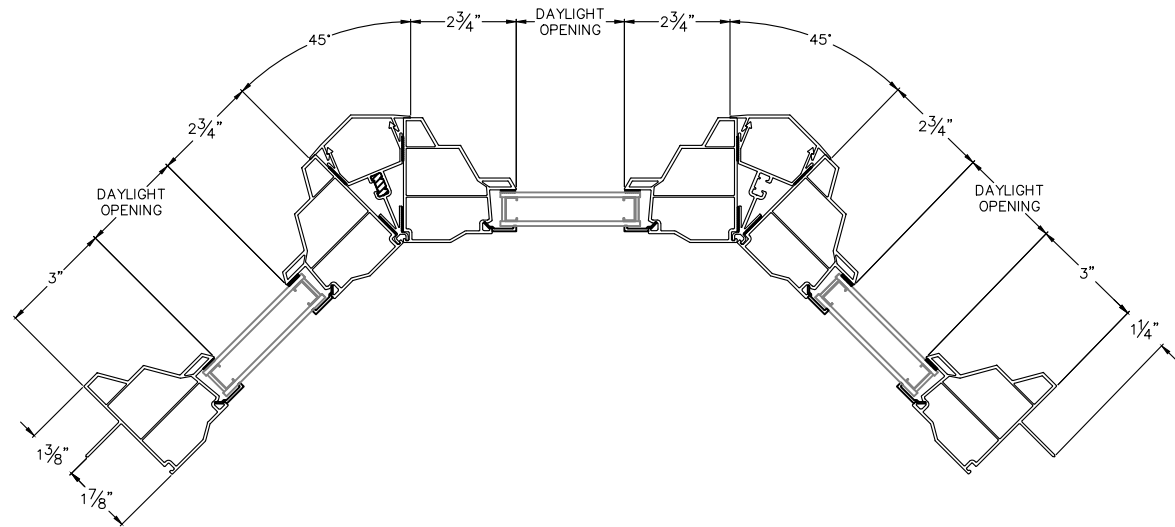
Units  
Inch

More Technical Documents can be found at [milgard.com/professionals](http://milgard.com/professionals)  
 Due to continual research and development, details may be changed at any time. ©2013 Milgard Mfg.

**BAY WINDOW**  
**SERIES 8000**



**HEAD & SILL**



**JAMBS**