

Cross Section Drawing

Tuscany Double Hung Window 1 3/8" Fin Setback Accessory Groove Frame, Stucco Key Accessory

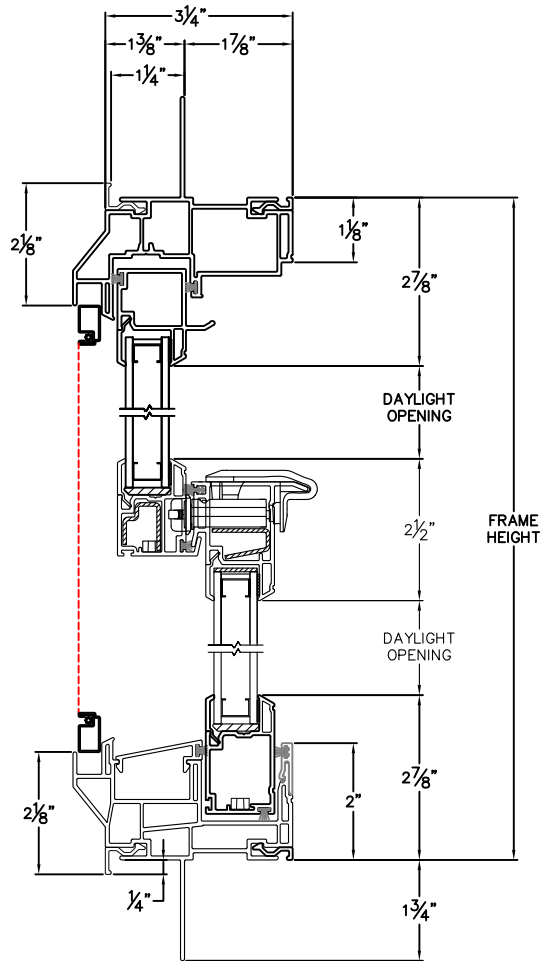


Clearly the best.

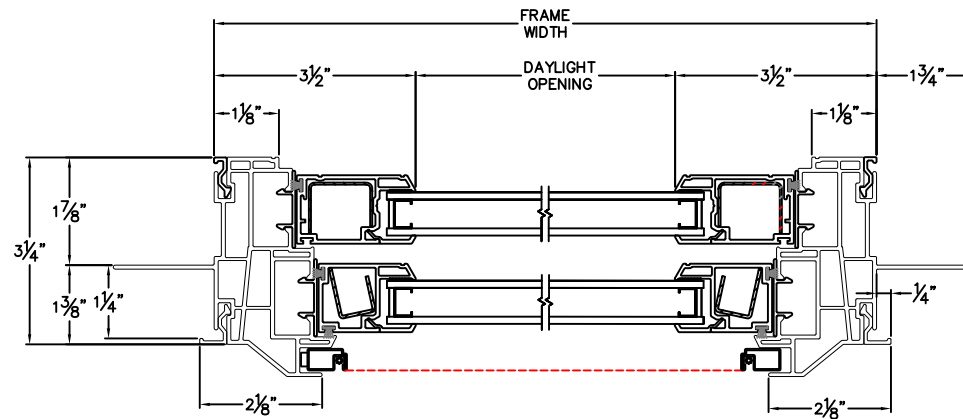
CAD File Scale	View	File Name	Units	Revision
NTS	Horizontal & Vertical	Tuscany_8225_DH_1.375in_stucco	Inch	6/2015

More Technical Documents can be found at milgard.com/professionals
 Due to continual research and development, details may be changed at any time. ©2013 Milgard Mfg.

DOUBLE HUNG SERIES 8225



HEAD & SILL



JAMBS