

Cross Section Drawing

Ultra Full Awning Window

1" Fin Setback



CAD File Scale
NTS

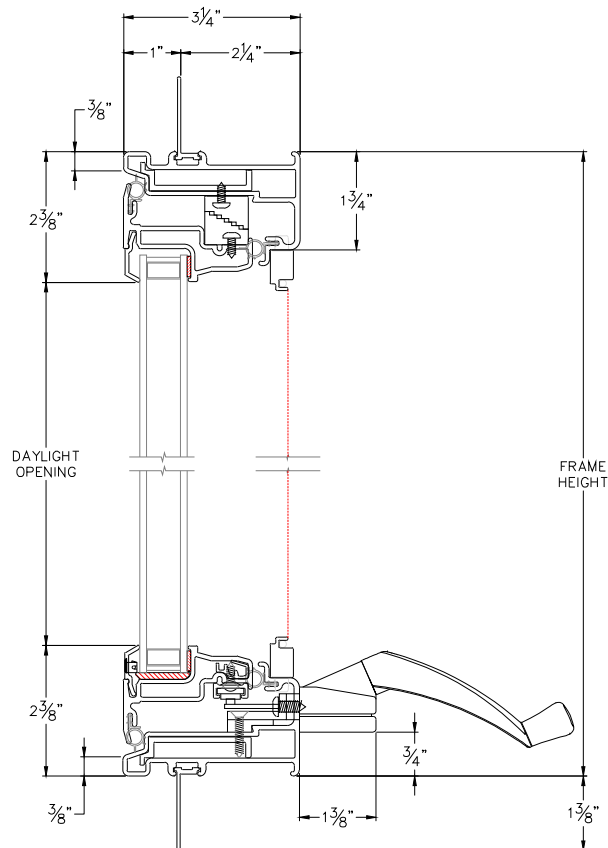
View
Horizontal & Vertical

File Name
3410U-03 FA

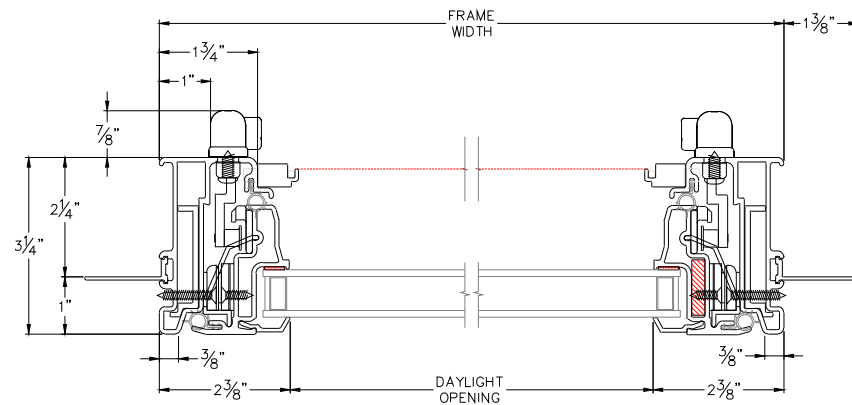
Units
Inch

More Technical Documents can be found at milgard.com/professionals
Due to continual research and development, details may be changed at any time. ©2013 Milgard Mfg.

AWNING SERIES 3410



HEAD & SILL



JAMBS