

# Cross Section Drawing

## Tuscany Inswing Door 1" Nailfin Setback, 4 9/16" Wall Condition

CAD File Scale  
NTS

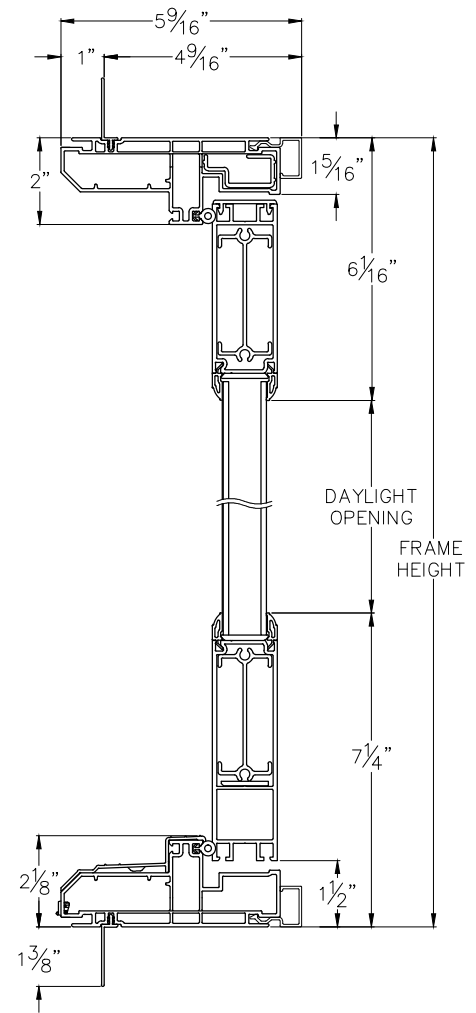
View  
Horizontal & Vertical

File Name  
Tuscany\_8642\_VIS\_XX\_1in\_4.5625

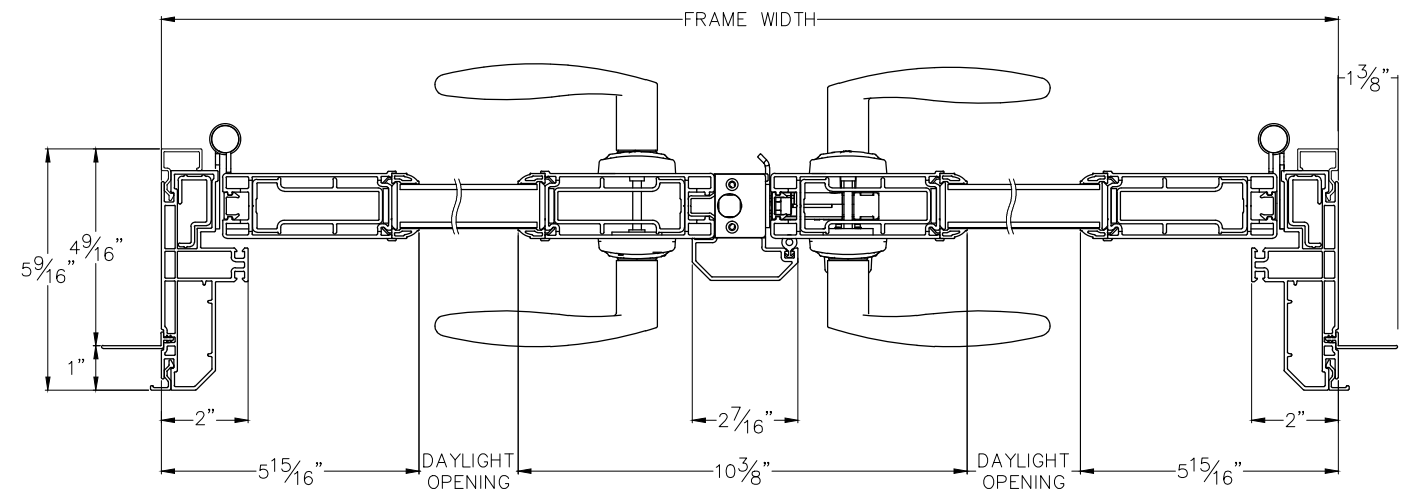
Units  
Inch

More Technical Documents can be found at [milgard.com/professionals](http://milgard.com/professionals)  
Due to continual research and development, details may be changed at any time. ©2013 Milgard Mfg.

### INSWING DOOR SERIES 8642



HEAD & SILL



JAMBS