

Cross Section Drawing

Tuscany Inswing Door Block Frame, 5 1/16" Wall Condition



Clearly the best.™

CAD File Scale
NTS

View
Horizontal & Vertical

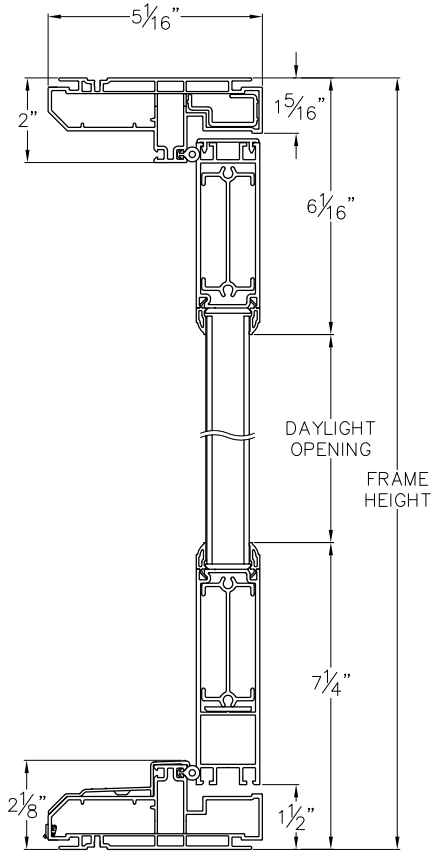
File Name
Tuscany_8642_VIS_XX_block_5.0625

Units
Inch

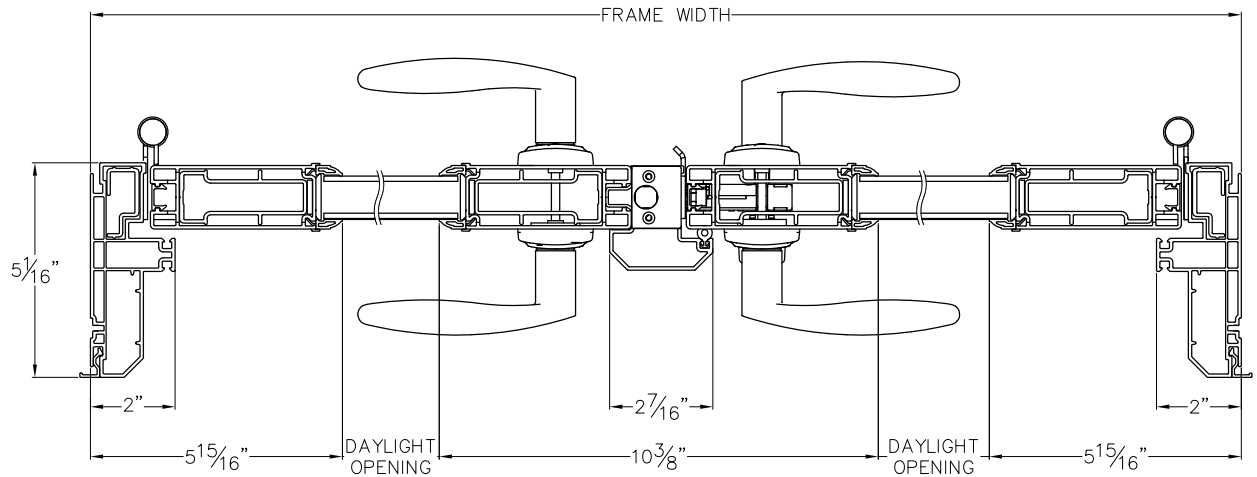
More Technical Documents can be found at milgard.com/professionals

Due to continual research and development, details may be changed at any time. ©2013 Milgard Mfg.

INSWING DOOR SERIES 8642



HEAD & SILL



JAMBS