

Cross Section Drawing

Tuscany Inswing Door

1" Nailfin Setback, 6 9/16" Wall Condition



CAD File Scale
NTS

View
Horizontal & Vertical

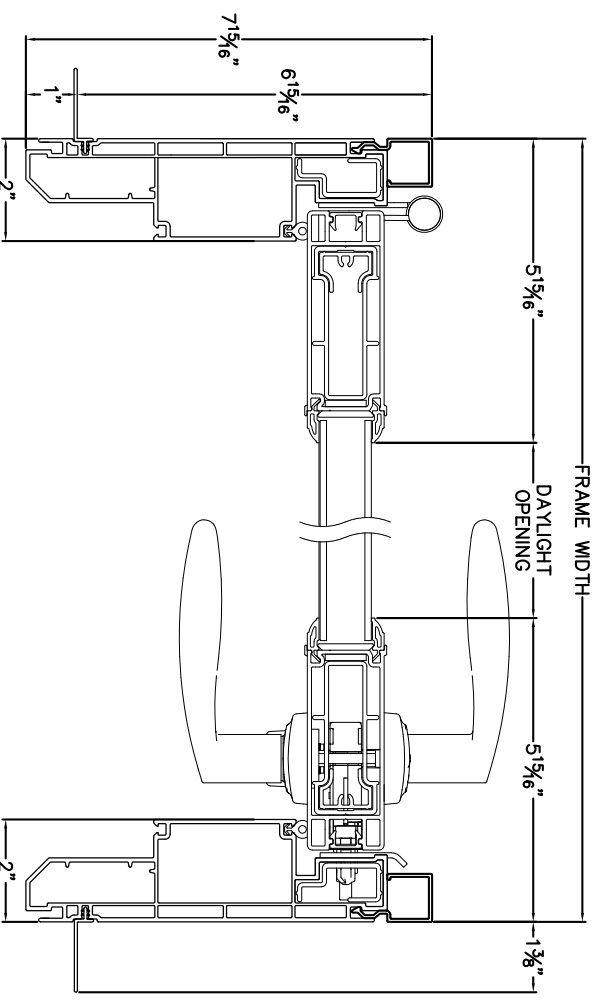
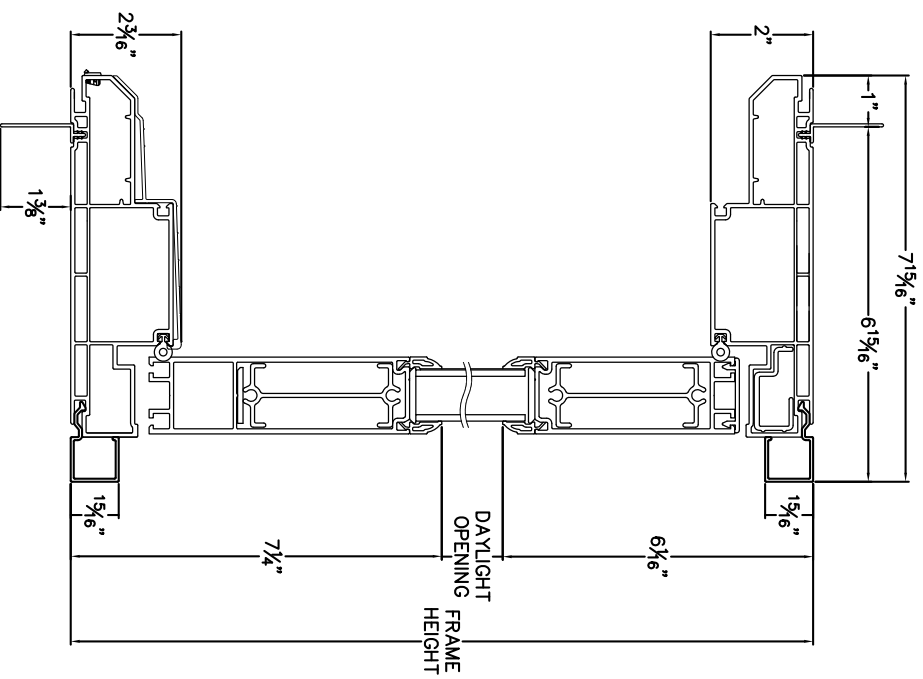
File Name
Tuscany_8662_VIS_X_1in

Units
Inch

Revision
4/2015

More Technical Documents can be found at milgard.com/professionals
Due to continual research and development, details may be changed at any time. ©2015 Milgard Mfg.

INSWING DOOR SERIES 8662



HEAD & SILL

JAMBS