

# Cross Section Drawing

## TIE Aluminum Bottom Awning Block Frame

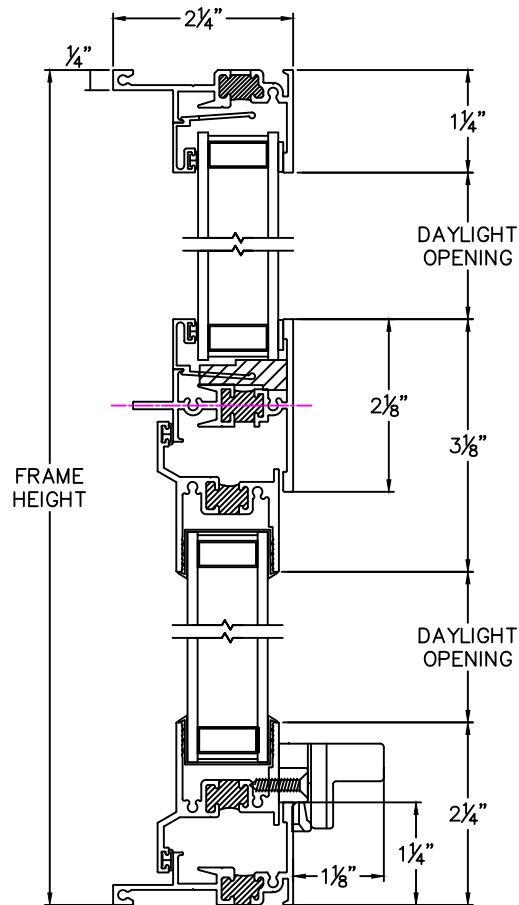


*Clearly the best.™*

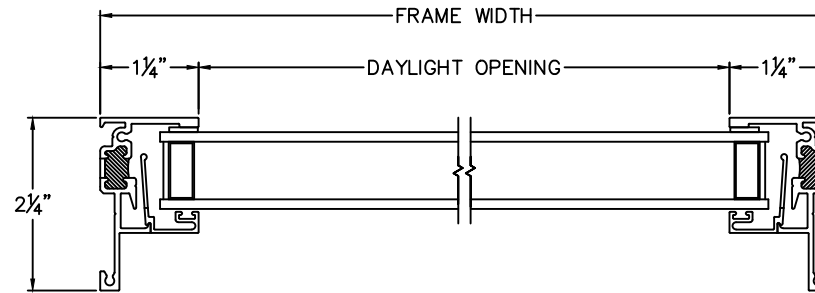
CAD File Scale	View	File Name	Units	Revision
NTS	Horizontal & Vertical	Aluminum_TIE_920C_BA_Block	Inch	10/2022

More Technical Documents can be found at [milgard.com/professionals](http://milgard.com/professionals)  
 Due to continual research and development, details may be changed at any time. ©2022 Milgard Mfg.

### AWNING SERIES 920C



HEAD & SILL



JAMBS

