

Cross Section Drawing

StyleLine Horizontal Slider Window Block Frame with Sloped Sill Adapter



Clearly the best.™

CAD File Scale
NTS

View
Horizontal & Vertical

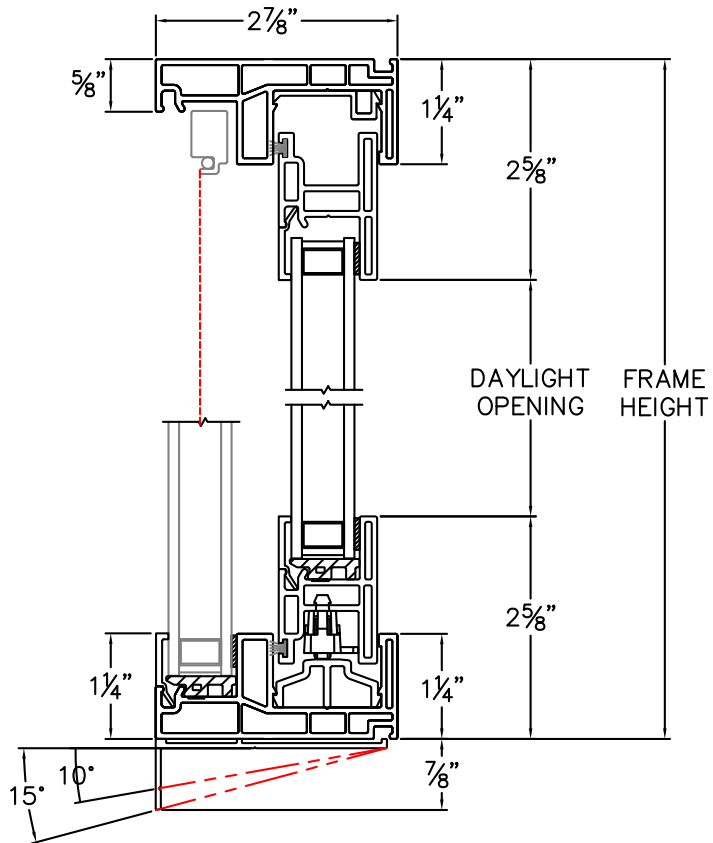
File Name
StyleLine_6110_HS_sill-adapter

Units
Inch

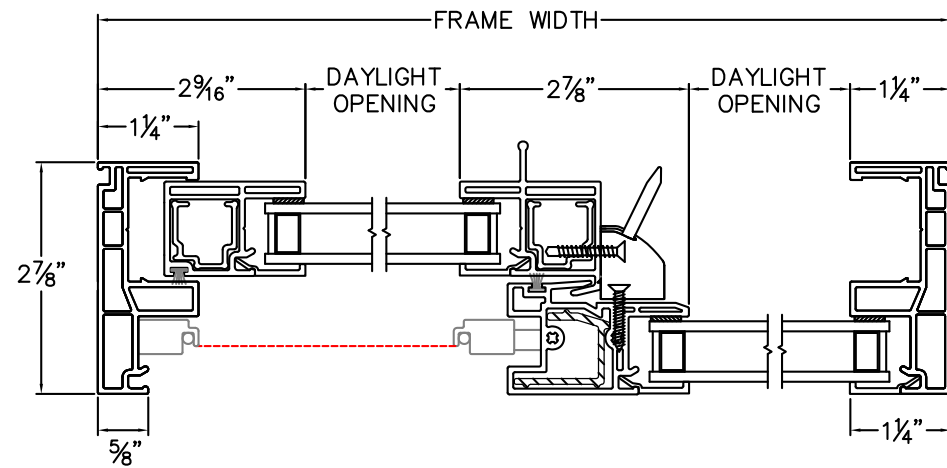
Revision
12/2015

More Technical Documents can be found at milgard.com/professionals
Due to continual research and development, details may be changed at any time. ©2013 Milgard Mfg.

HORIZONTAL SLIDER SERIES 6110



HEAD & SILL



JAMBS