

Cross Section Drawing

StyleLine Full Casement Window 1 3/8" Nailfin Set Back Frame



Clearly the best.™

CAD File Scale
NTS

View
Horizontal & Vertical

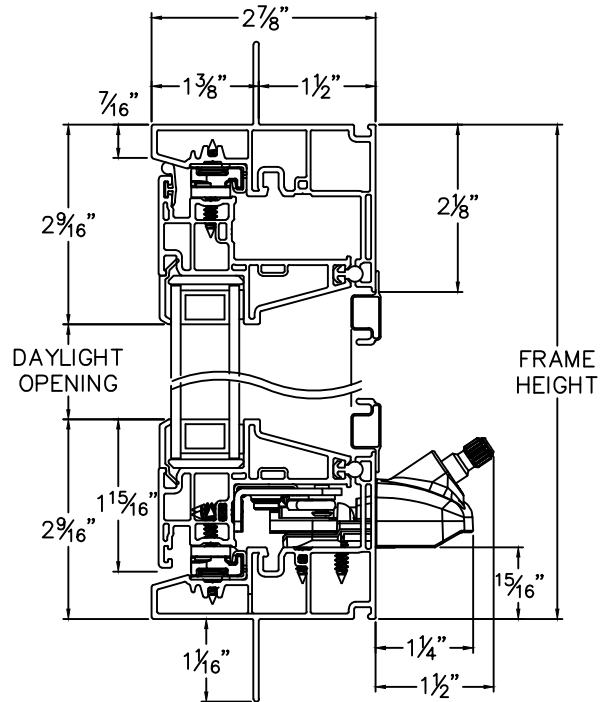
File Name
StyleLine_6510_FC_Block

Units
Inch

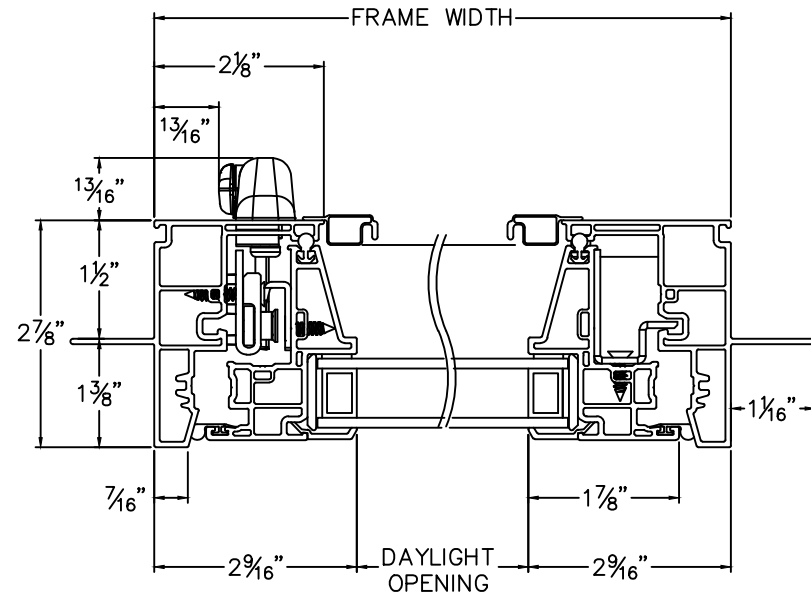
Revision
11/2021

More Technical Documents can be found at milgard.com/professionals
Due to continual research and development, details may be changed at any time. ©2013 Milgard Mfg.

CASEMENT SERIES 6510



HEAD & SILL



JAMBS