

# Cross Section Drawing

## StyleLine Top Casement Window 1 3/8" Nailfin Setback Frame



*Clearly the best.™*

CAD File Scale  
NTS

View  
Horizontal & Vertical

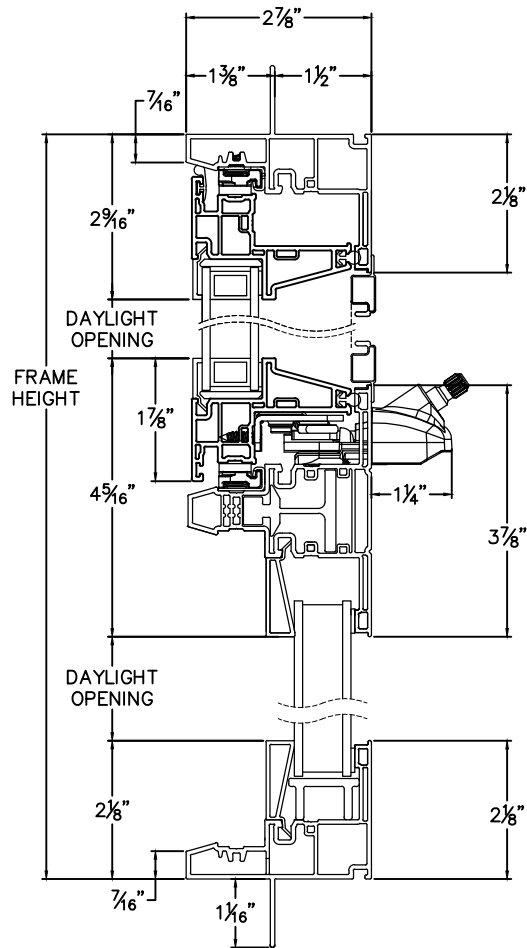
File Name  
StyleLine\_6510\_TC\_1.375in

Units  
Inch

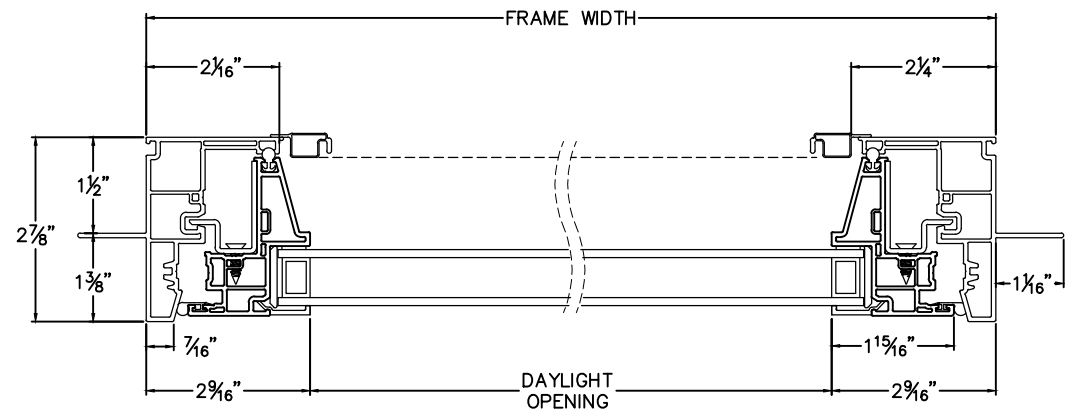
Revision  
11/2021

More Technical Documents can be found at [milgard.com/professionals](http://milgard.com/professionals)  
Due to continual research and development, details may be changed at any time. ©2013 Milgard Mfg.

### CASEMENT SERIES 6510



HEAD & SILL



JAMBS

