

Cross Section Drawing

Trinsic Horizontal Slider Window 1" Nailfin Setback Frame with J-Channel



Clearly the best.™

CAD File Scale
NTS

View
Horizontal & Vertical

File Name
TRINSIC_2130J_HS_1in_J-Channel

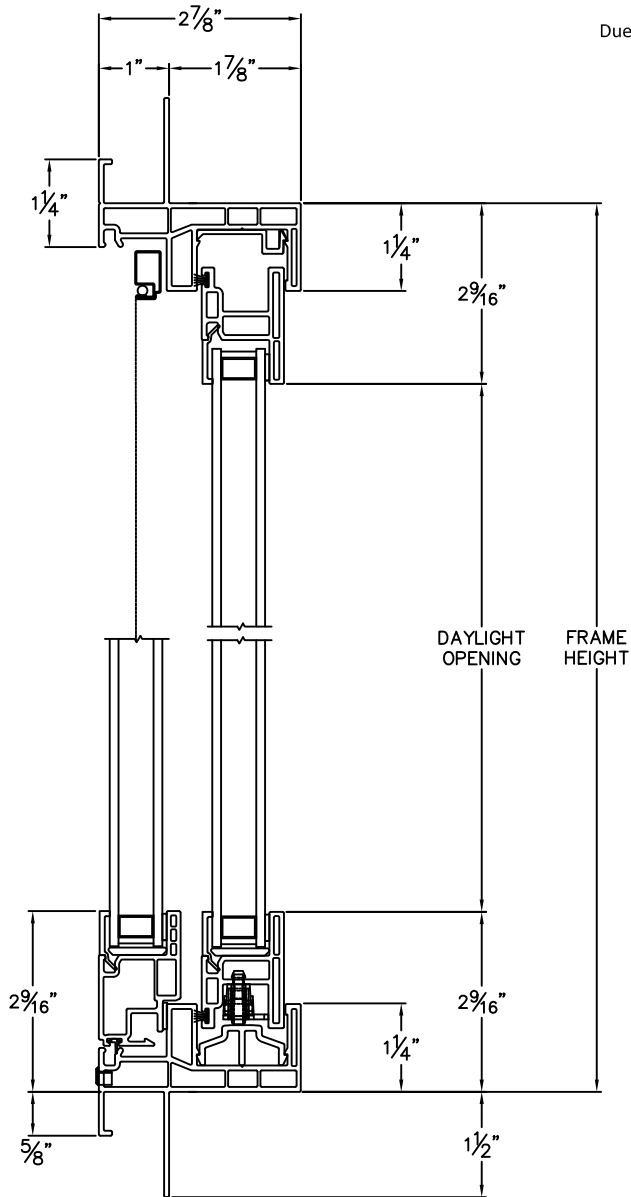
Units
Inch

Revision
08/2018

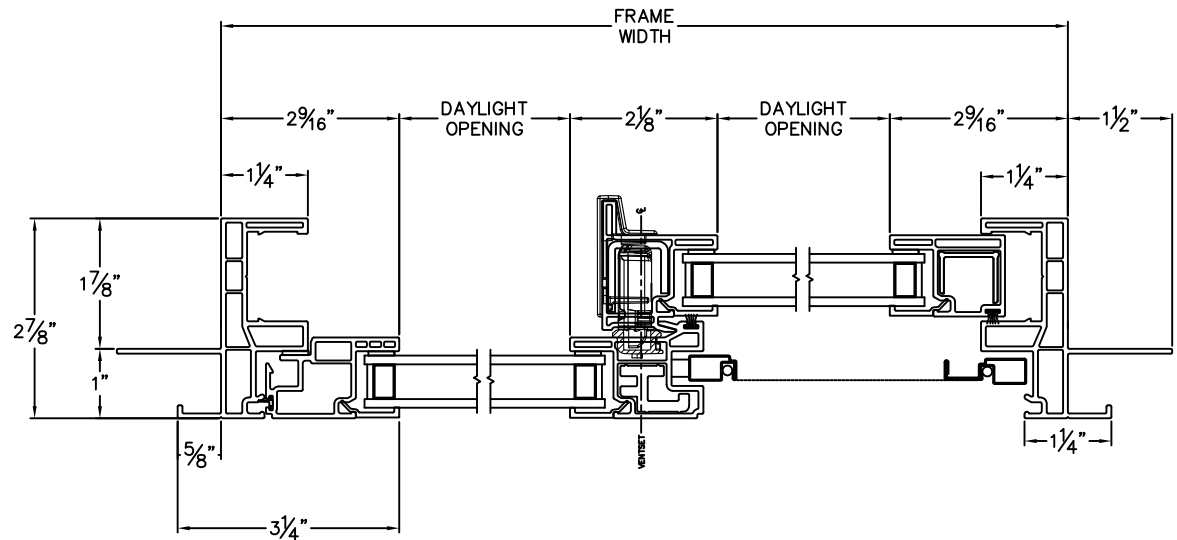
More Technical Documents can be found at milgard.com/professionals

Due to continual research and development, details may be changed at any time. ©2018 Milgard Mfg.

HORIZONTAL SLIDER SERIES 2130J



HEAD & SILL



JAMBS