

# Cross Section Drawing

## Trinsic Triple Single Hung Window

### 1 3/8" Nailfin Setback Frame



CAD File Scale  
NTS

View  
Horizontal & Vertical

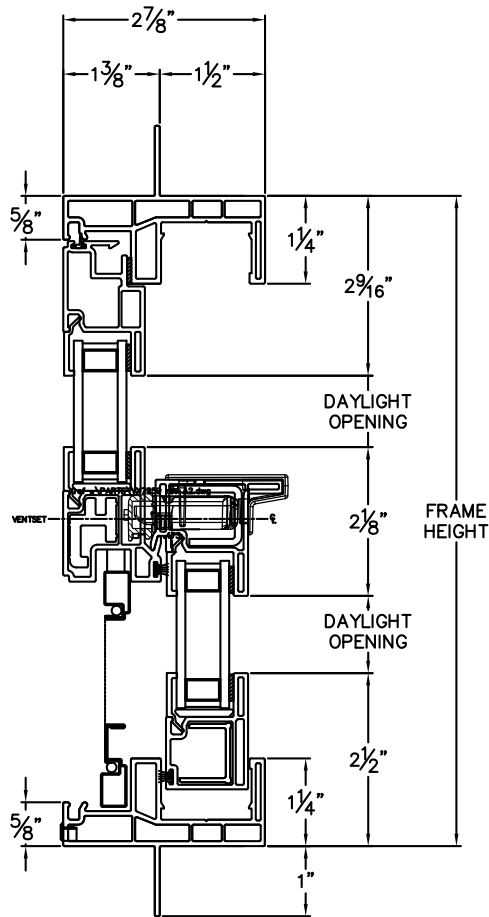
File Name  
Trinsic\_2210\_TSH\_1.375in

Units  
Inch

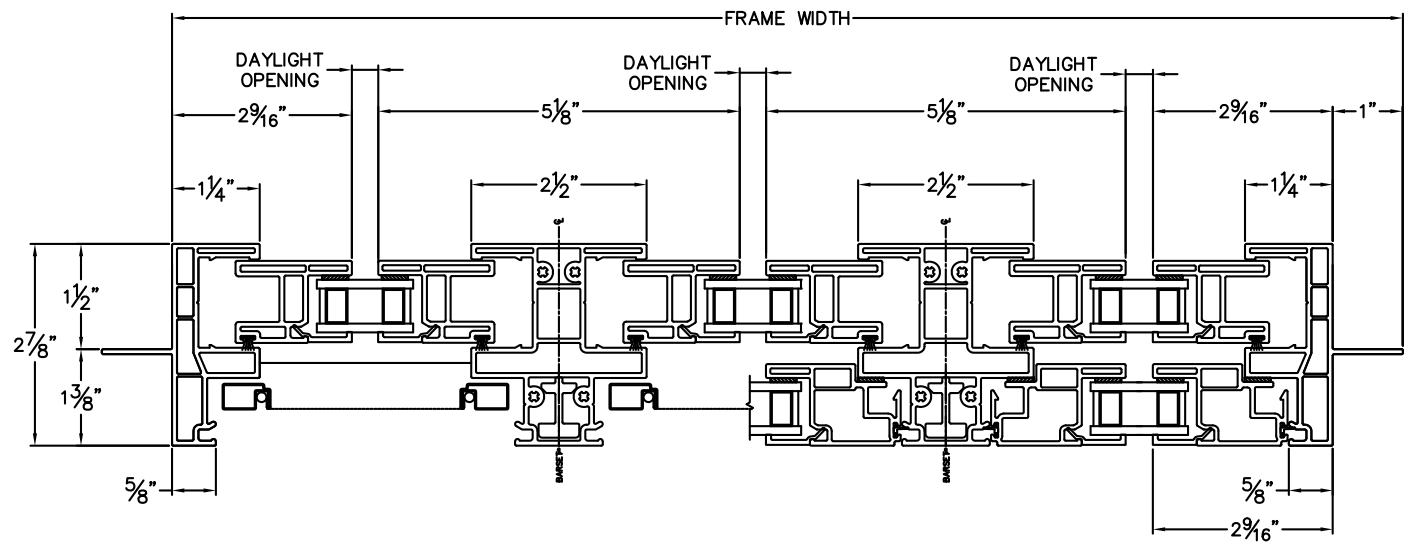
Revision  
08/2018

More Technical Documents can be found at [milgard.com/professionals](http://milgard.com/professionals)  
Due to continual research and development, details may be changed at any time. ©2018 Milgard Mfg.

## TRIPLE SINGLE HUNG SERIES 2210



HEAD & SILL



JAMBS