

# Cross Section Drawing

## Trinsic Single Hung Window

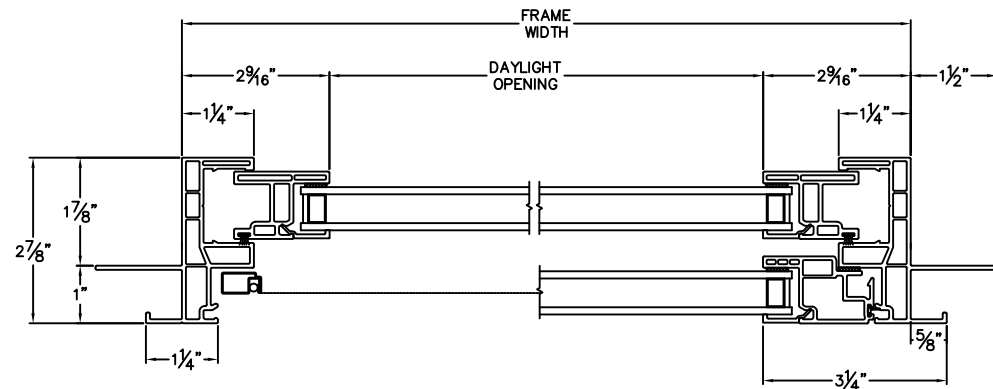
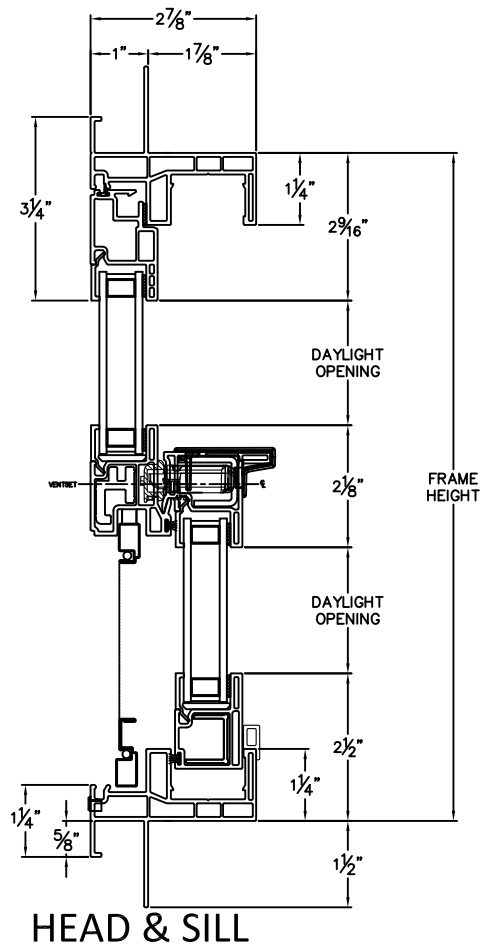
### 1" Nailfin Setback Frame with J-Channel



CAD File Scale	View	File Name	Units	Revision
NTS	Horizontal & Vertical	Trinsic_2230J_SH_1in_J-Channel	Inch	08/2018

More Technical Documents can be found at [milgard.com/professionals](http://milgard.com/professionals)  
 Due to continual research and development, details may be changed at any time. ©2018 Milgard Mfg.

## SINGLE HUNG SERIES 2230J



JAMBS