

Cross Section Drawing

Trinsic Single Hung Window

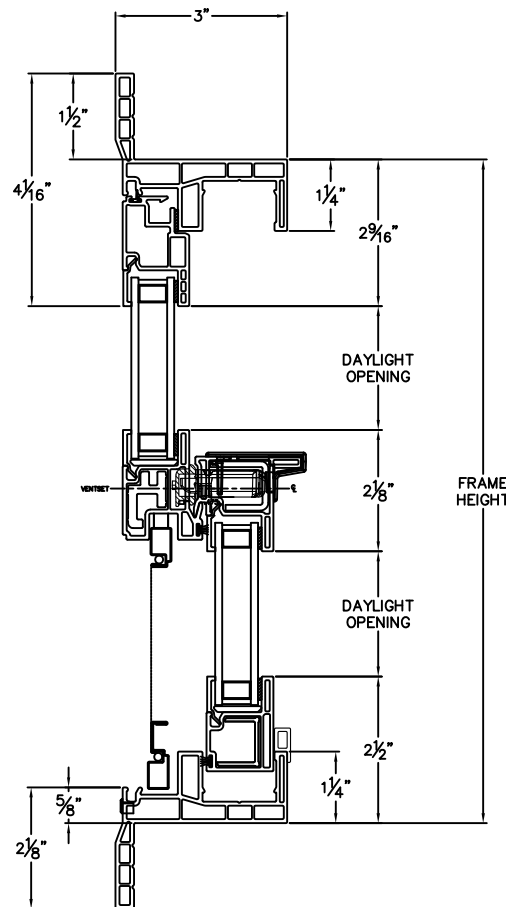
1 1/2" Contour Z-Bar Frame



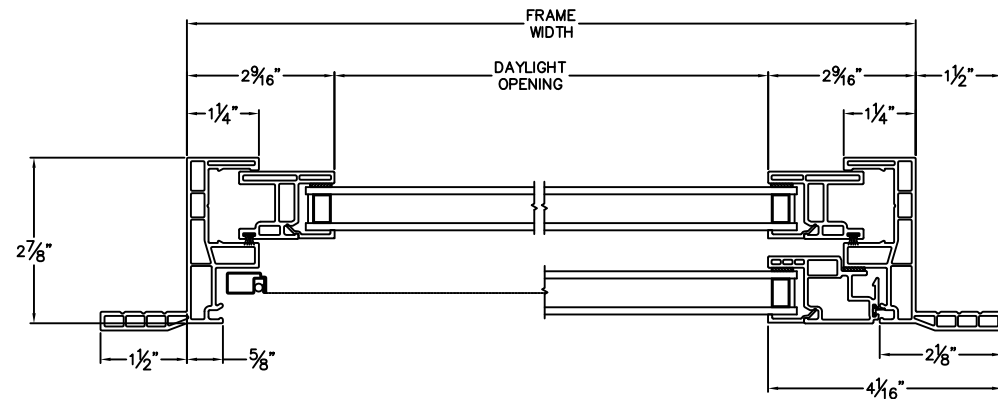
CAD File Scale	View	File Name	Units	Revision
NTS	Horizontal & Vertical	Trinsic_2270_SH_1.5in_Z-Bar	Inch	08/2018

More Technical Documents can be found at milgard.com/professionals
 Due to continual research and development, details may be changed at any time. ©2018 Milgard Mfg.

SINGLE HUNG SERIES 2270



HEAD & SILL



JAMBS