

Cross Section Drawing



Clearly the best.™

Trinsic Bottom Awning Window 1" Nailfin Setback Accessory Groove Frame, 3/4" Flat "J" Channel

CAD File Scale
NTS

View
Horizontal & Vertical

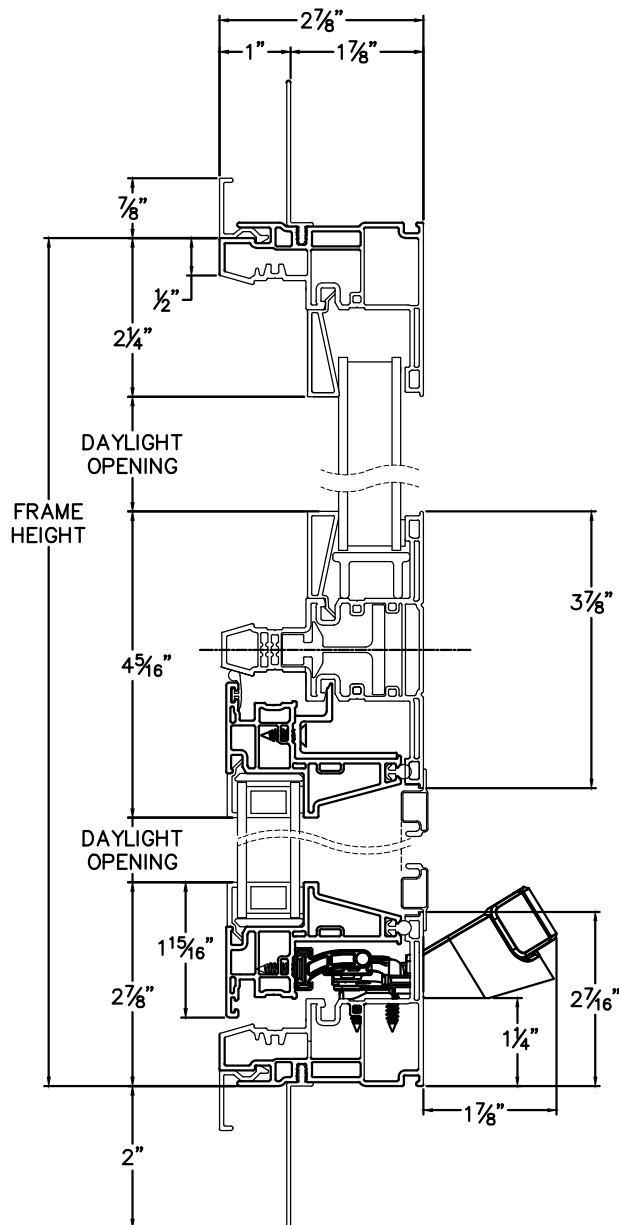
File Name
Trinsic_2430J_BA_1in_j-channel

Units
Inch

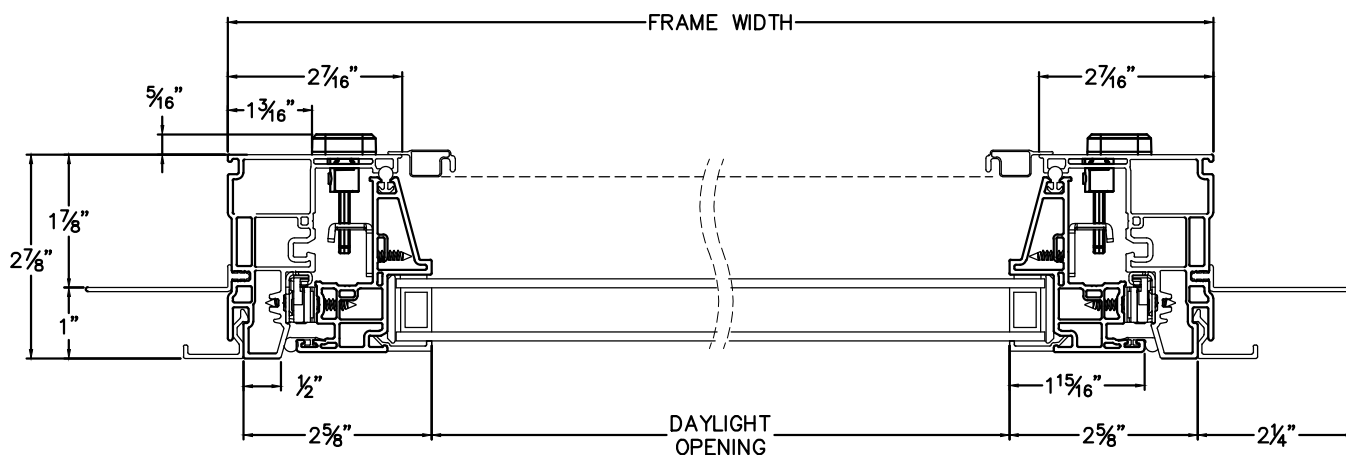
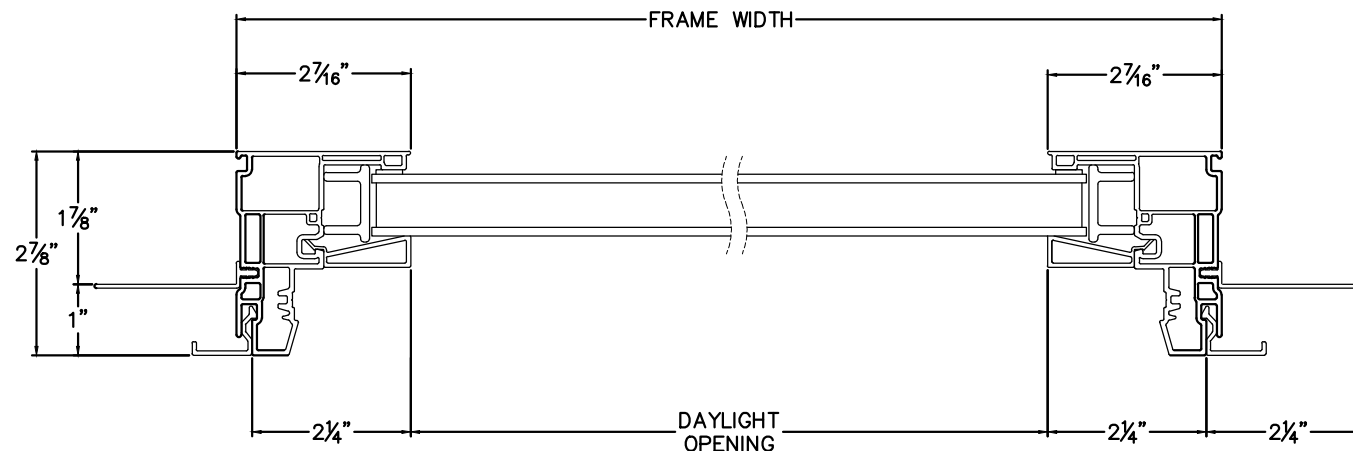
Revision
2/2020

More Technical Documents can be found at milgard.com/professionals
Due to continual research and development, details may be changed at any time. ©2020 Milgard Mfg.

BOTTOM AWNING SERIES 2430J



HEAD & SILL



JAMBS