

Cross Section Drawing

Trinsic Casement/Awning Fixed Window 1" Nailfin Setback with Stucco Key



CAD File Scale
NTS

View
Horizontal & Vertical

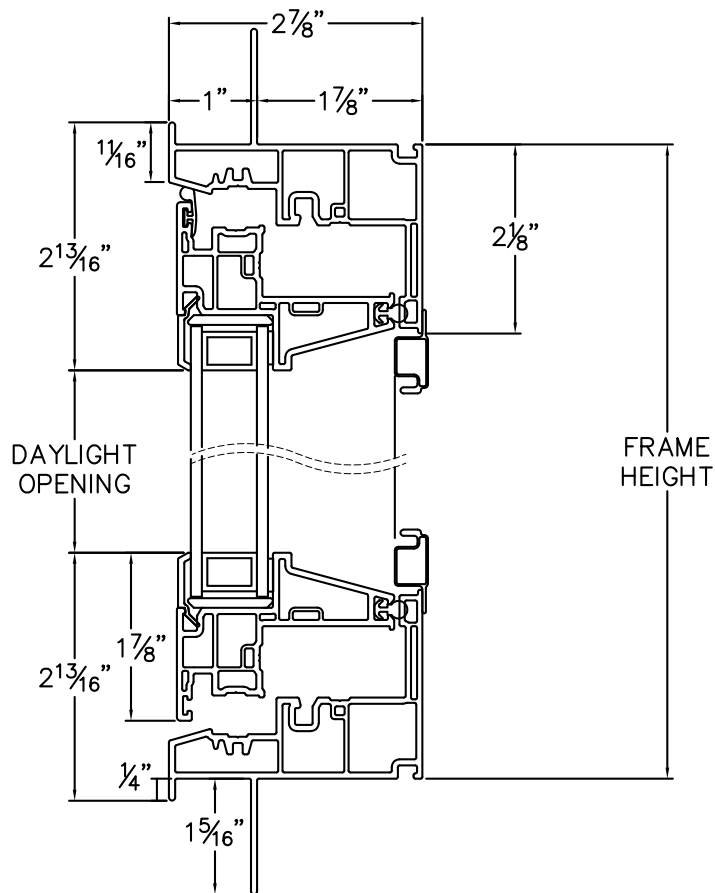
File Name
Trinsic_2530_CAF_1in_stucco

Units
Inch

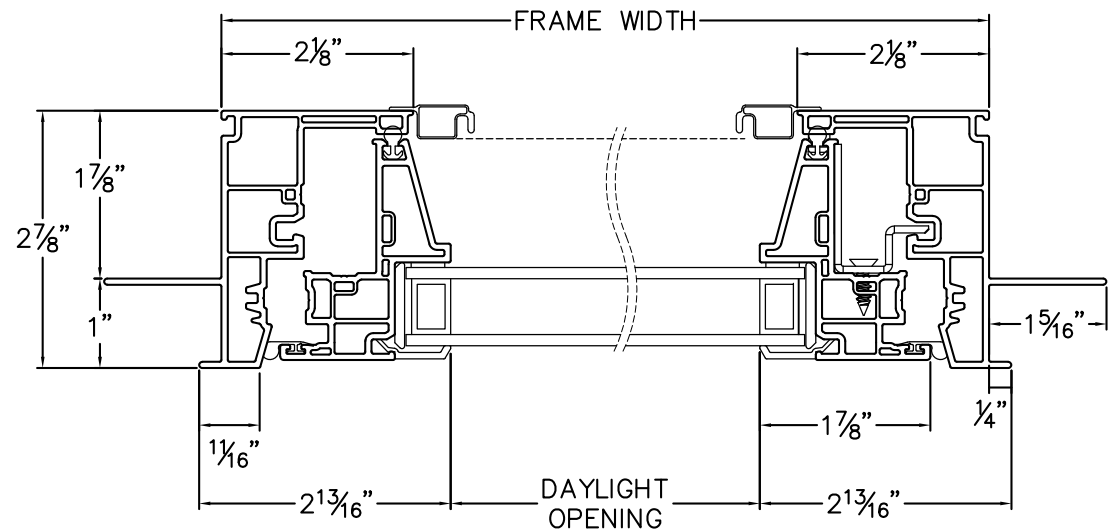
Revision
4/2022

More Technical Documents can be found at milgard.com/professionals
Due to continual research and development, details may be changed at any time. ©2022 Milgard Mfg.

CASEMENT SERIES 2530



HEAD & SILL



JAMBS