

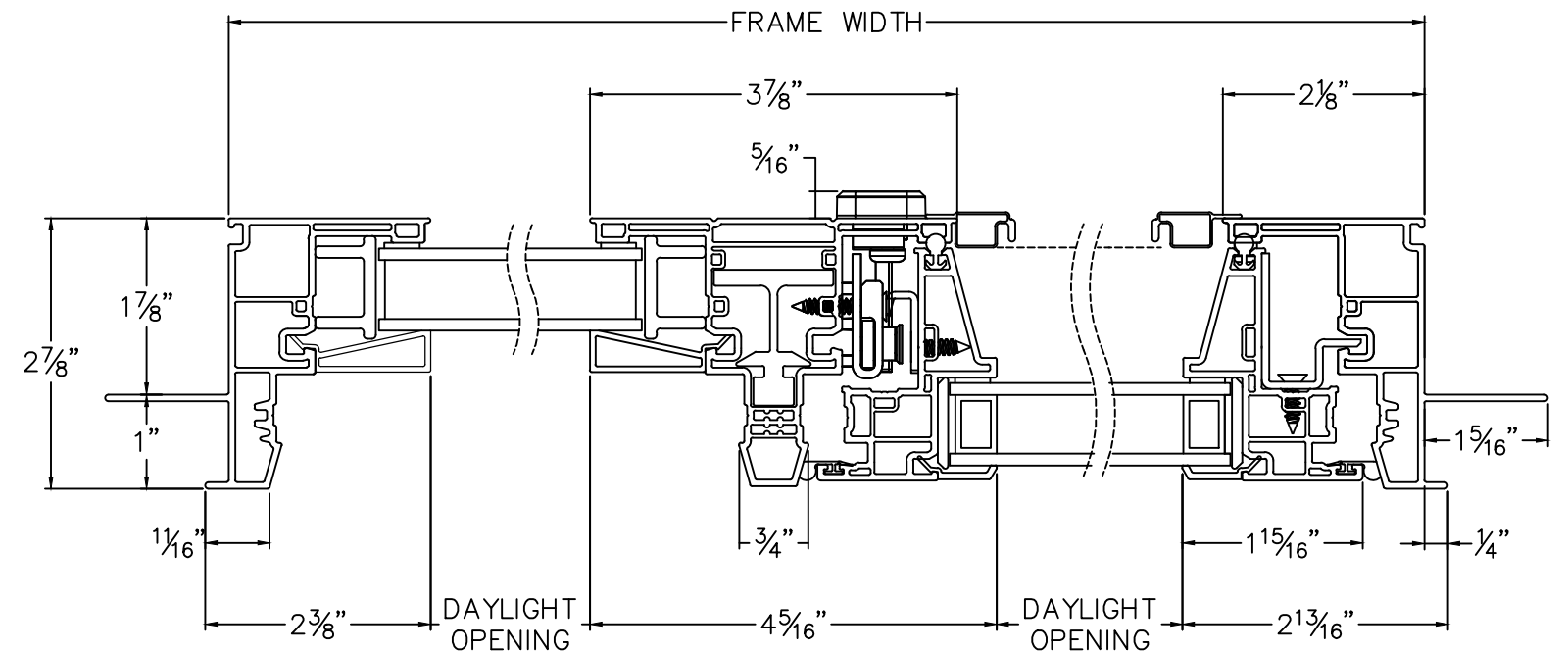
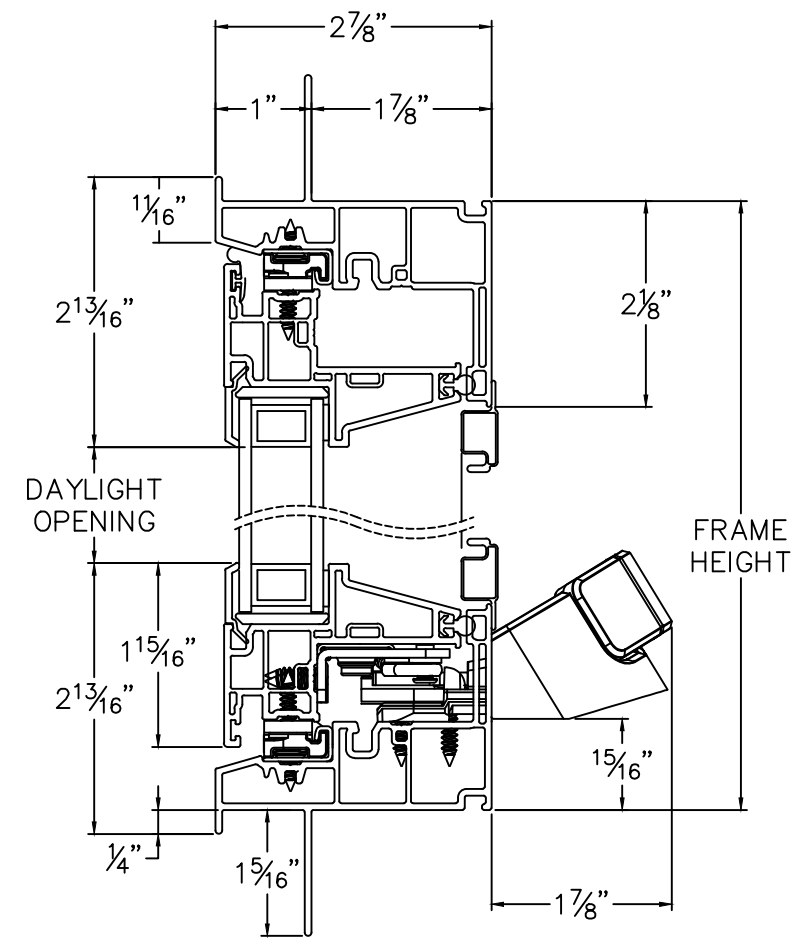
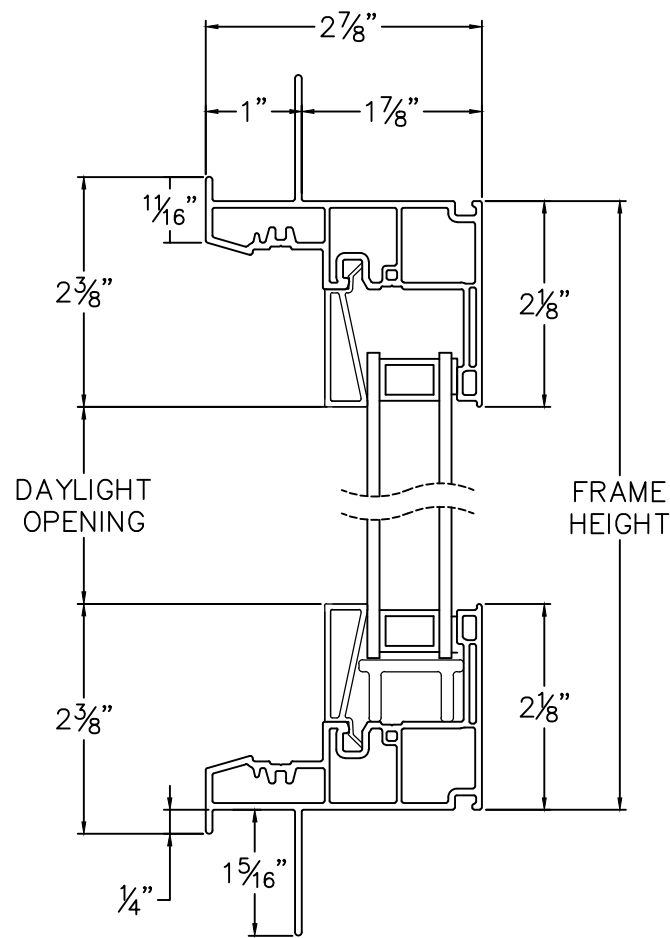
Cross Section Drawing
Trinsic Single Casement Window
1" Nailfin Setback Frame with Stucco Key



CAD File Scale	View	File Name	Units	Revision
NTS	Horizontal & Vertical	Trinsic_2530_SC_1in_stucco	Inch	2/2020

More Technical Documents can be found at milgard.com/professionals
 Due to continual research and development, details may be changed at any time. ©2020 Milgard Mfg.

CASEMENT
SERIES 2530



HEAD & SILL

JAMBS