

Cross Section Drawing

Trinsic Double Casement Window 1 1/2" Contour Z-Bar Frame



Clearly the best.™

CAD File Scale
NTS

View
Horizontal & Vertical

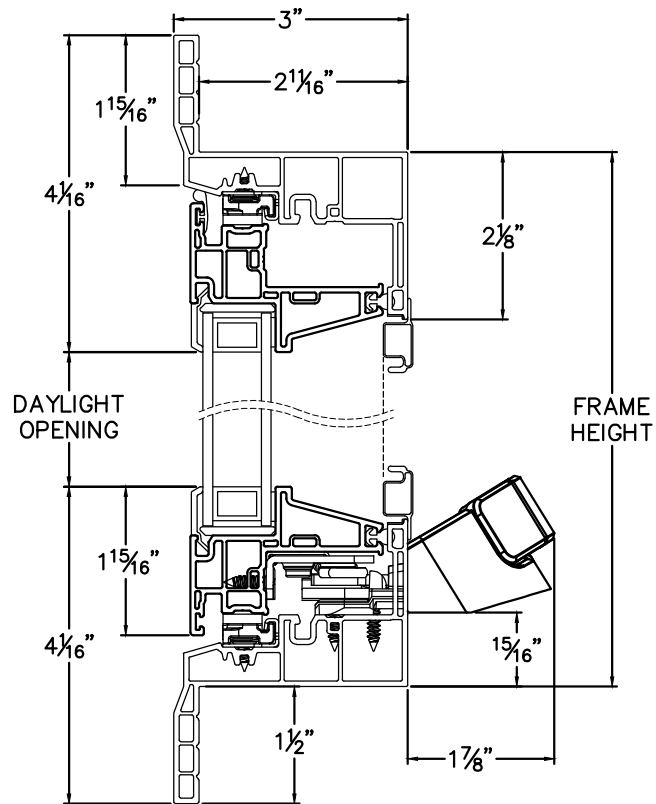
File Name
Trinsic_2570_DC_1.5in_z-bar

Units
Inch

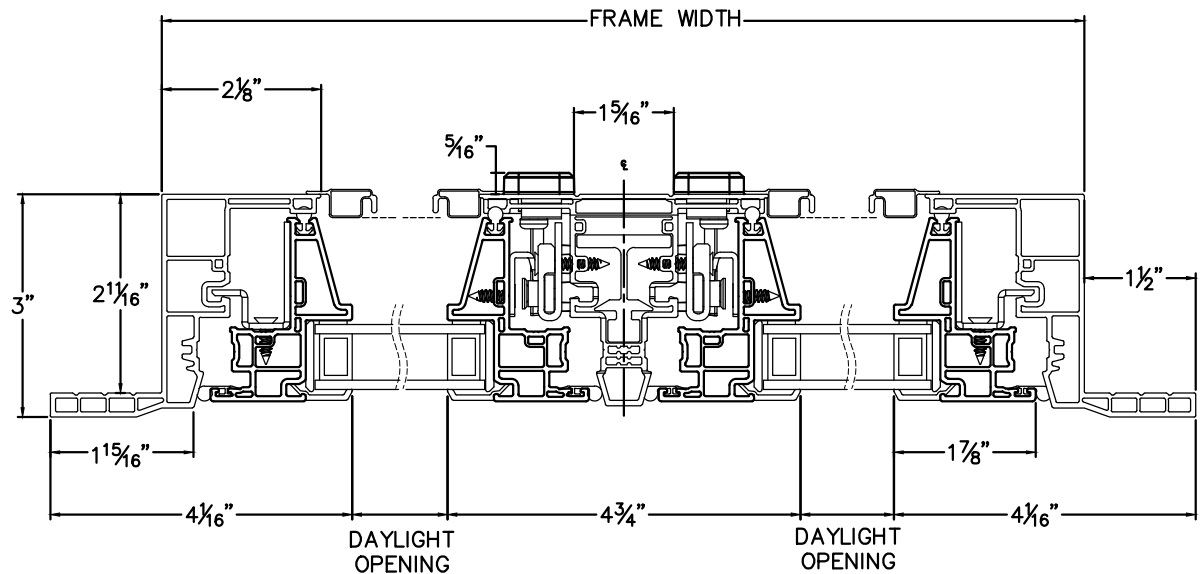
Revision
2/2020

More Technical Documents can be found at milgard.com/professionals
Due to continual research and development, details may be changed at any time. ©2020 Milgard Mfg.

DOUBLE CASEMENT SERIES 2570



HEAD & SILL



JAMBS