

**Cross Section Drawing**  
**Trinsic Single Casement Window**  
**1 1/2 " Contour Z-Bar Frame**



*Clearly the best.™*

CAD File Scale  
NTS

View  
Horizontal & Vertical

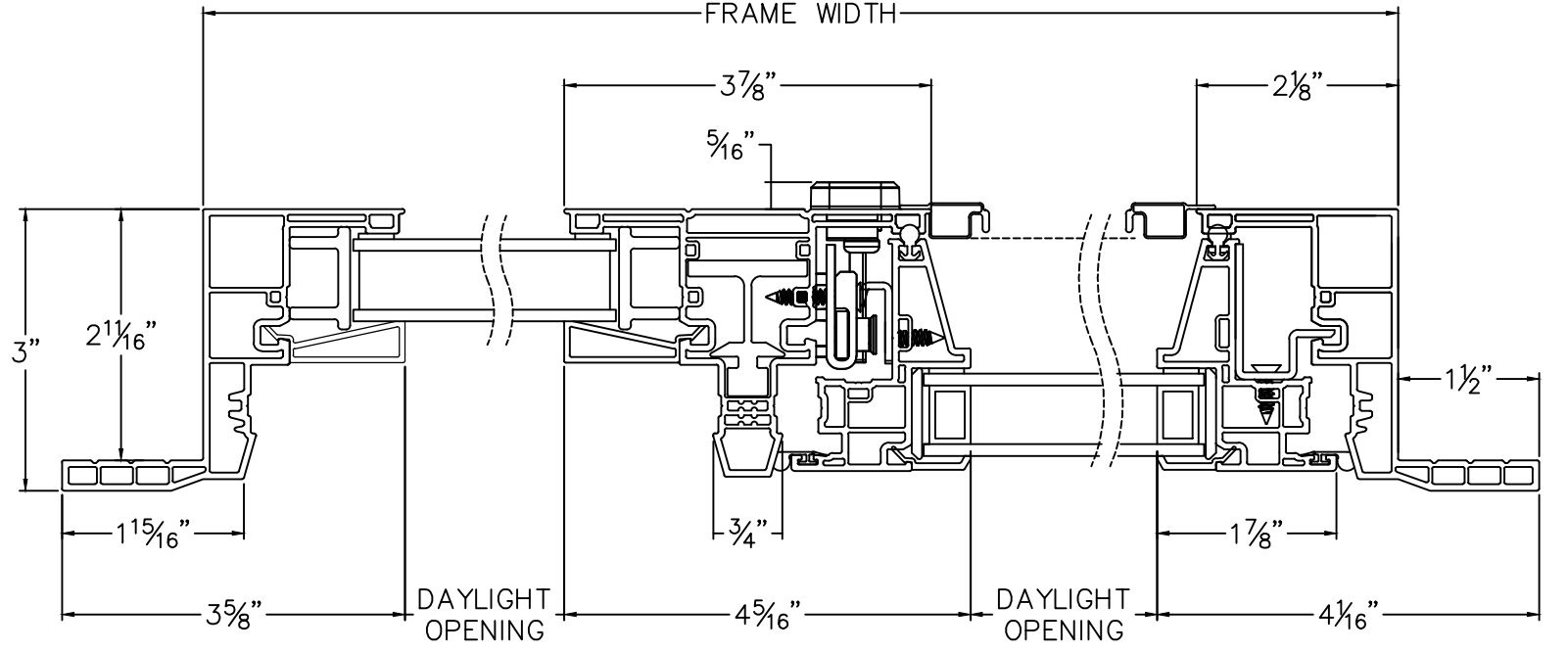
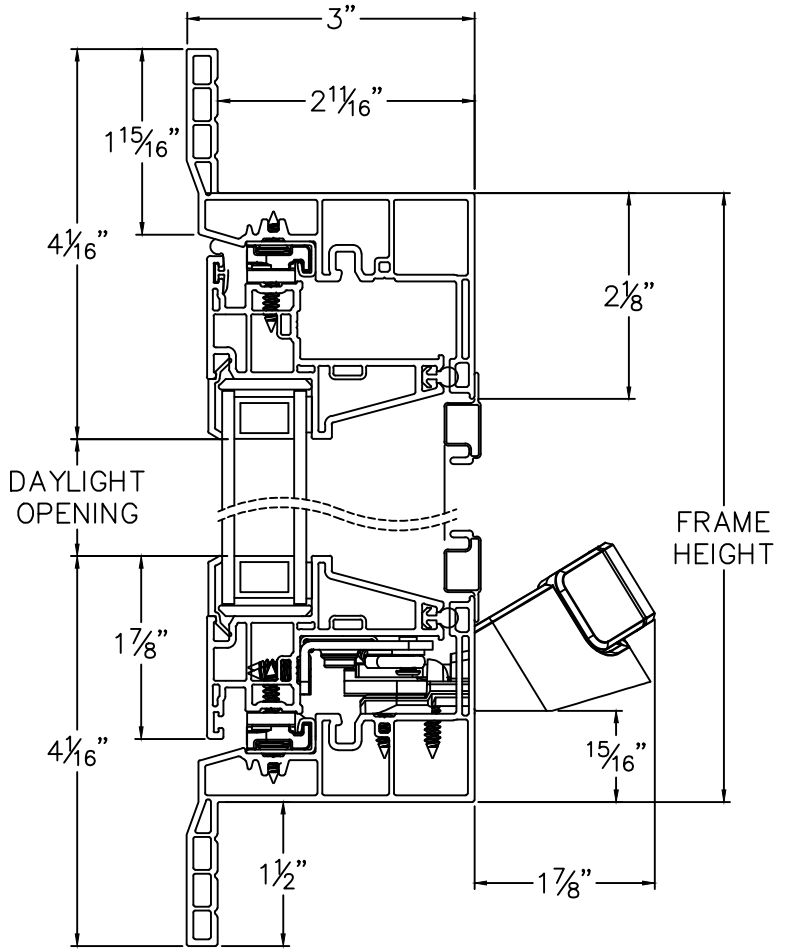
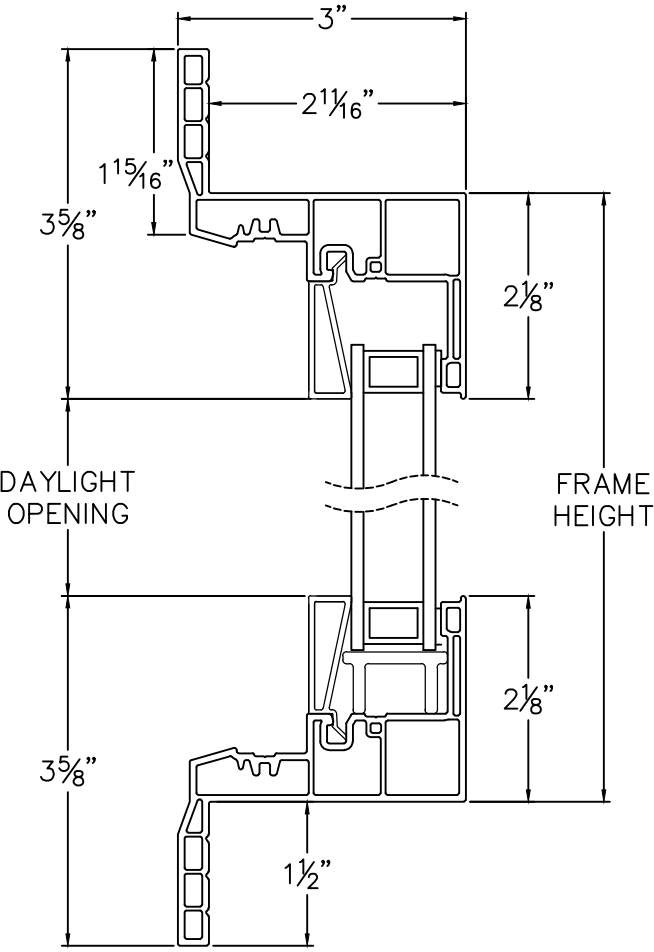
File Name  
Trinsic\_2570\_SC\_1.5in\_z-bar

Units  
Inch

Revision  
2/2020

More Technical Documents can be found at [milgard.com/professionals](http://milgard.com/professionals)  
 Due to continual research and development, details may be changed at any time. ©2020 Milgard Mfg.

**CASEMENT**  
**SERIES 2570**



HEAD & SILL

JAMBS