

Cross Section Drawing

Trinsic Sliding Door, 4 Panel (OXXO) 1 3/8" Fin Set Back W/Stucco Key



CAD File Scale
NTS

View
Horizontal & Vertical

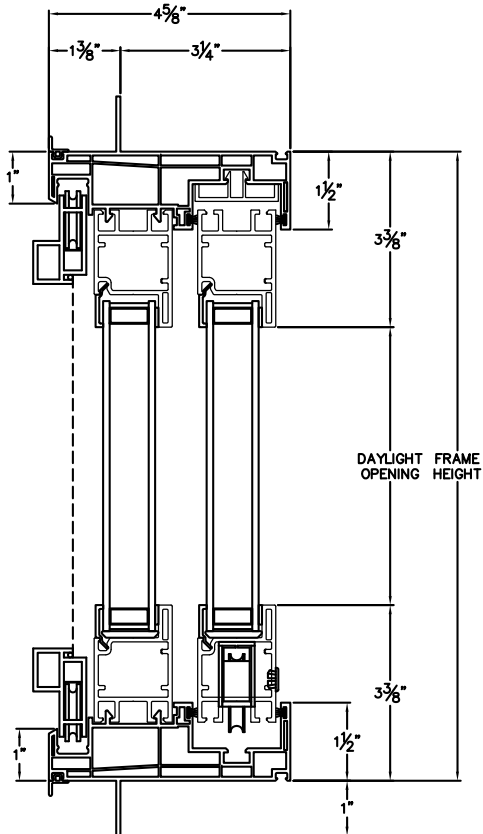
File Name
TRINSIC_2610_SGD_OXXO_1.375in FIN SET BACK_STUCCO KEY

Units
Inch

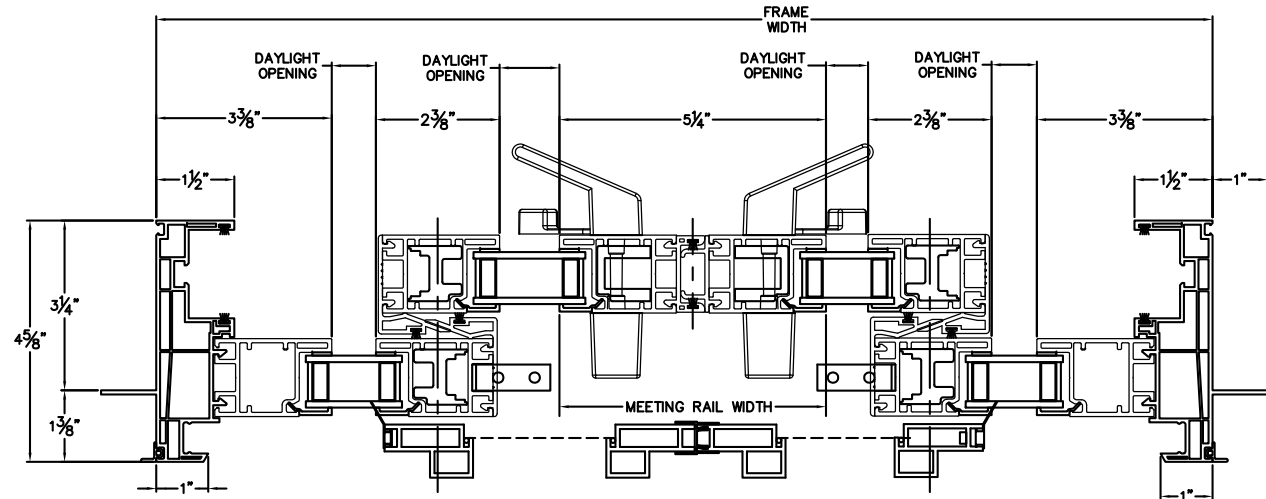
Revision
07/2018

More Technical Documents can be found at milgard.com/professionals
Due to continual research and development, details may be changed at any time. ©2018 Milgard Mfg.

SLIDING DOOR SERIES 2610



HEAD & SILL



JAMBS