

Cross Section Drawing

Tuscany Full Awning Window 1 3/8" Nailfin Setback Accessory Groove Frame, Stucco Key Accessory



CAD File Scale
NTS

View
Horizontal & Vertical

File Name
Tuscany_8440_FA_1.375in_stucco

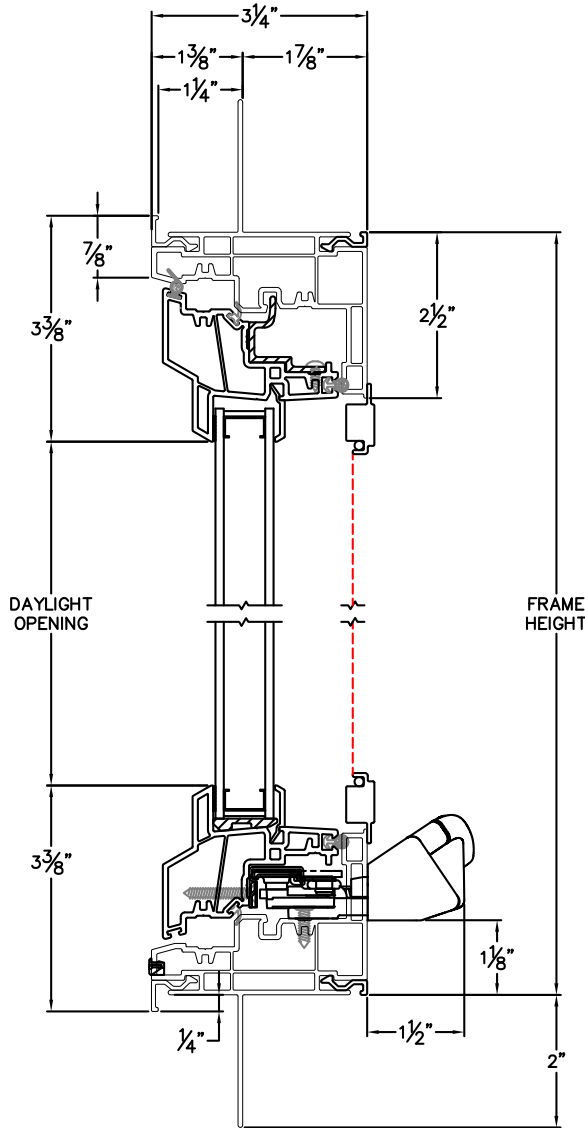
Units
Inch

Revision
6/2015

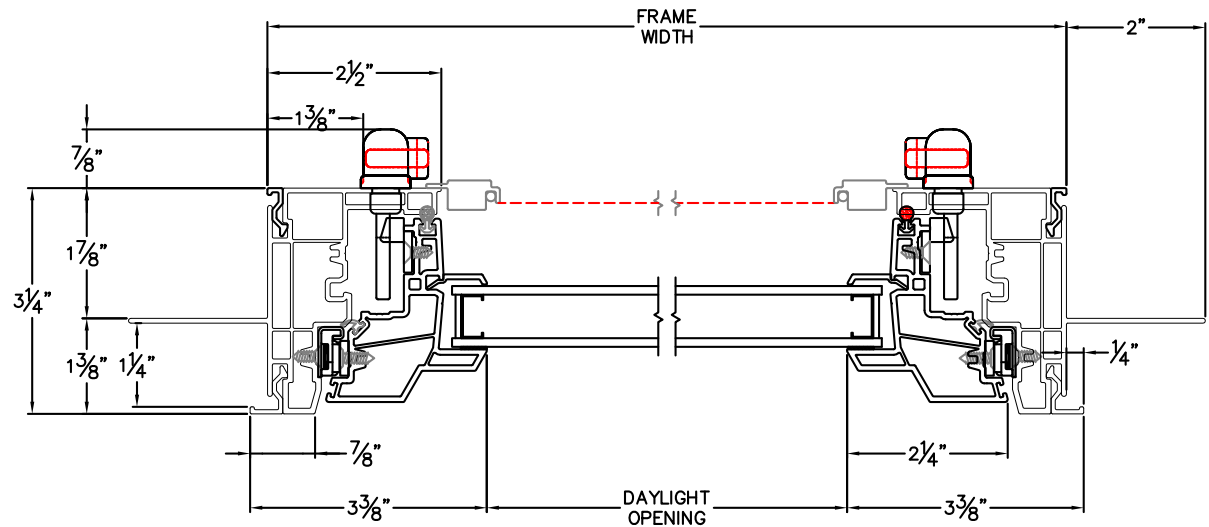
More Technical Documents can be found at milgard.com/professionals

Due to continual research and development, details may be changed at any time. ©2013 Milgard Mfg.

AWNING SERIES 8440



HEAD & SILL



JAMBS