

Cross Section Drawing

Tuscany Full Casement Window

1 3/8" Fin Setback Accessory Groove Frame, 3/4" Flat J Channel



Clearly the best.™

CAD File Scale
NTS

View
Horizontal & Vertical

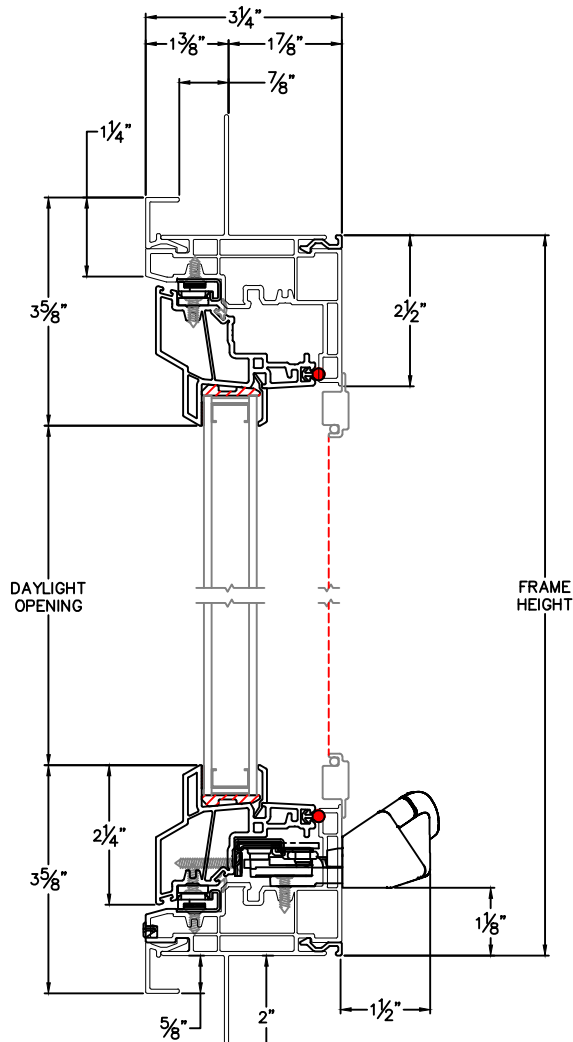
File Name
8540T-04 FC

Units
Inch

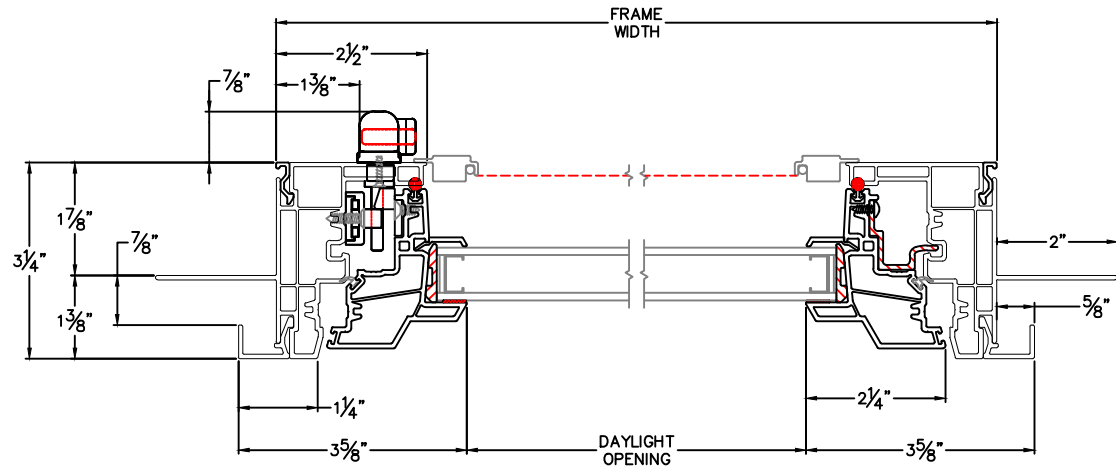
More Technical Documents can be found at milgard.com/professionals

Due to continual research and development, details may be changed at any time. ©2013 Milgard Mfg.

CASEMENT SERIES 8540



HEAD & SILL



JAMBS