

## Cross Section Drawing

# Tuscany Full Casement Window, Fixed 1" Fin Setback w/Stucco Key



*Clearly the best.™*

CAD File Scale  
NTS

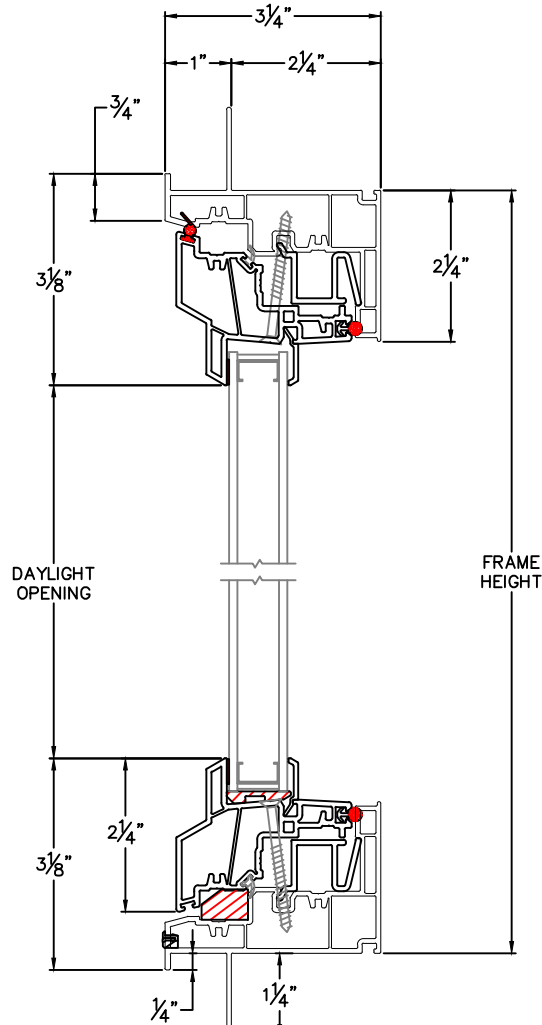
View  
Horizontal & Vertical

File Name  
8531T-01 FC

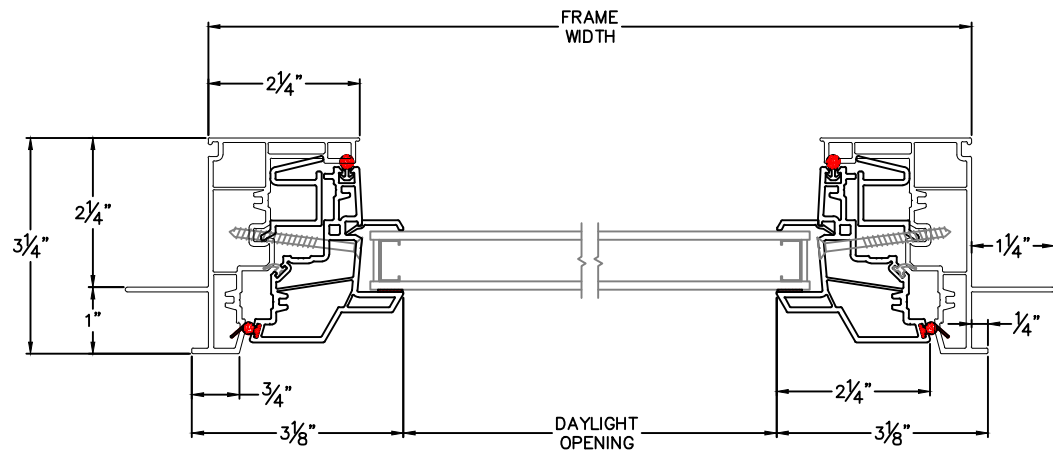
Units  
Inch

More Technical Documents can be found at [milgard.com/professionals](http://milgard.com/professionals)  
Due to continual research and development, details may be changed at any time. ©2013 Milgard Mfg.

## CASEMENT SERIES 8531



HEAD & SILL



JAMBS