

Cross Section Drawing

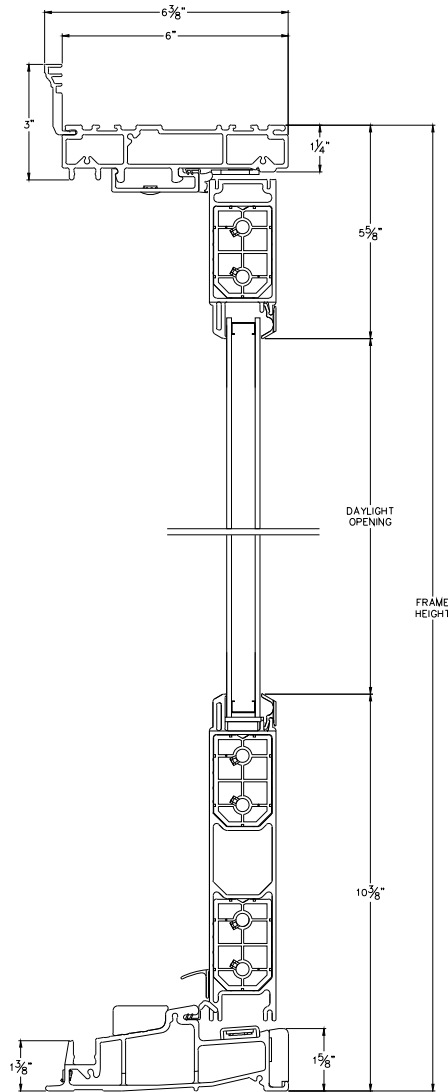
Ultra French InSwing Door, 2 Panel Passive / Active 1 3/4" Contour Z Bar



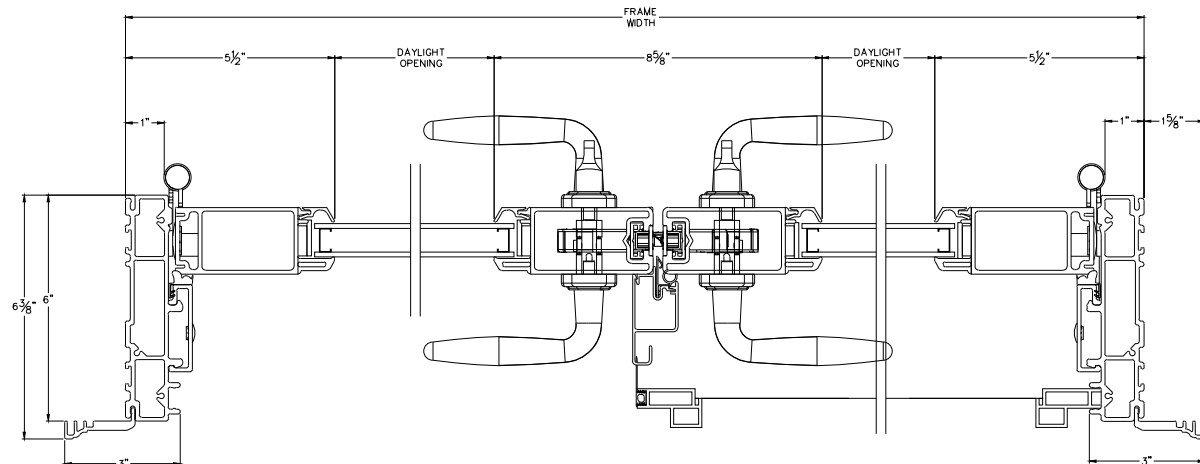
CAD File Scale	View	File Name	Units	Revision
NTS	Horizontal & Vertical	Ultra_3642U_IS_AP_1.75in_z-bar	Inch	05/2016

More Technical Documents can be found at milgard.com/professionals
Due to continual research and development, details may be changed at any time. ©2013 Milgard Mfg.

INSWING SERIES 3642



HEAD & SILL



JAMBS