

Cross Section Drawing

Ultra French OutSwing Door, Single Panel 2 1/4" Contour Z Bar



CAD File Scale
NTS

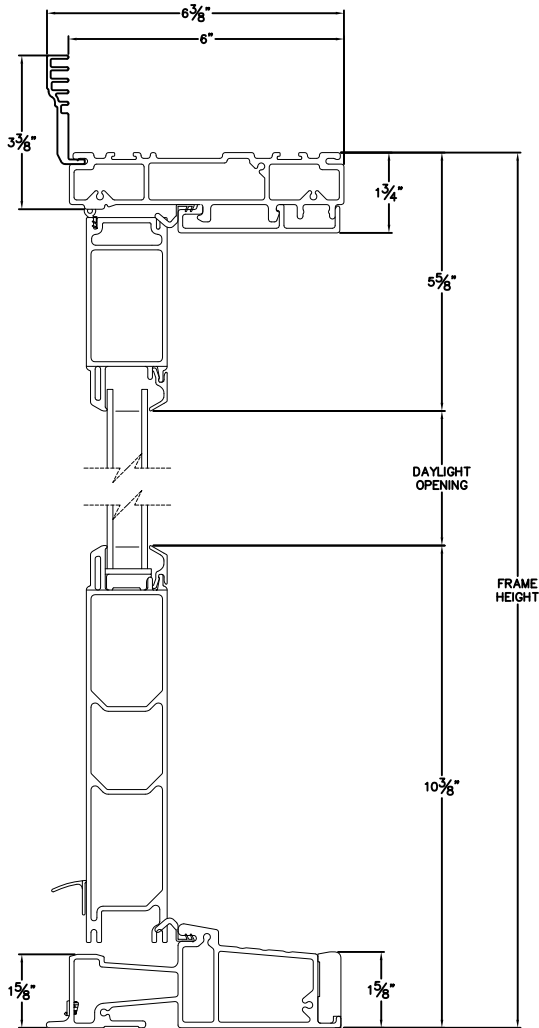
View
Horizontal & Vertical

File Name
Ultra_3645_OS_A_2.25in-z-bar

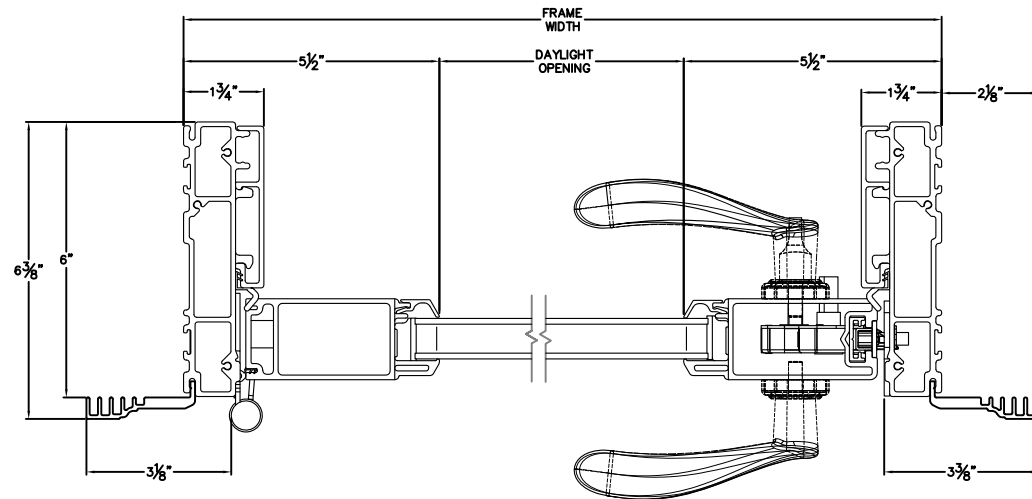
Units
Inch

More Technical Documents can be found at milgard.com/professionals
Due to continual research and development, details may be changed at any time. ©2013 Milgard Mfg.

OUT SWING SERIES 3645



HEAD & SILL



JAMBS