

CROSS SECTION DRAWING

Ultra French OutSwing Door, 3 Panel Operable/Fixed/Fixed

1 3/4" Contour Z Bar



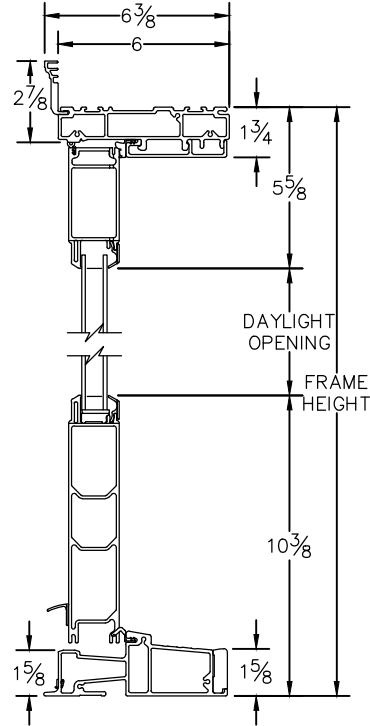
Clearly the best.

CAD FILE SCALE	View	FILE NAME	UNITS	REVISION
NTS	HORIZONTAL & VERTICAL	Ultra_3645_OS_LOO_1.75in-z-bar	INCH	07/2016

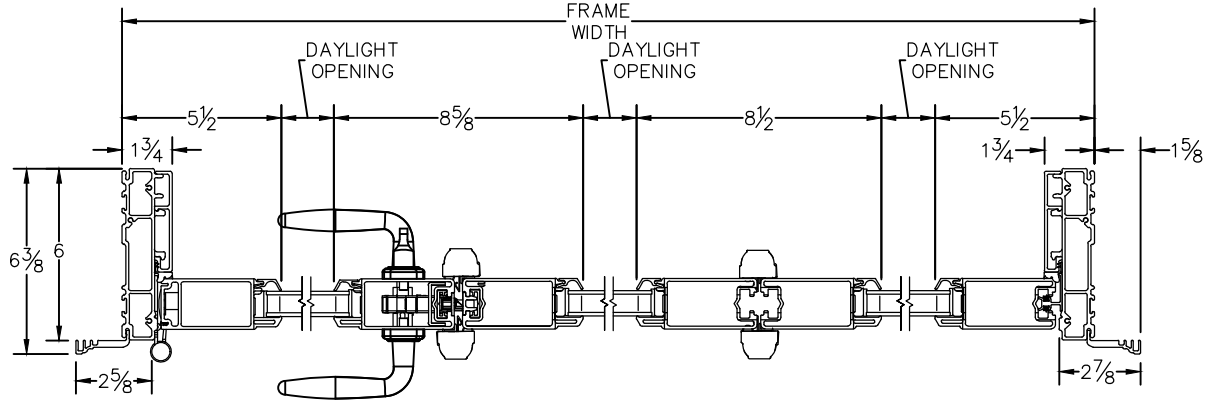
MORE TECHNICAL DOCUMENTS CAN BE FOUND AT MILGARD.COM/PROFESSIONALS

DUE TO CONTINUAL RESEARCH AND DEVELOPMENT, DETAILS MAY BE CHANGED AT ANY TIME. © 2016 MILGARD MFG.

OUT SWING SERIES 3645



HEAD & SILL



JAMBS