

**CROSS SECTION DRAWING**  
**Ultra French OutSwing Door, 4 Panel Fixed/Passive/Active/Fixed**  
**1 3/8" Fin Setback**

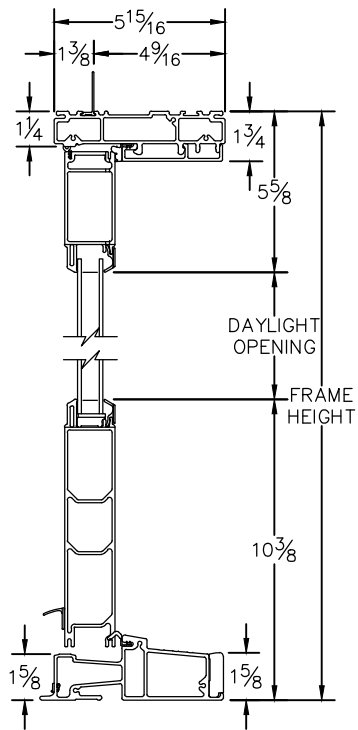


CAD FILE SCALE	View	FILE NAME	UNITS	REVISION
NTS	HORIZONTAL & VERTICAL	Ultra_3645_OS_OPAO_1.375in_4.563wall	INCH	07/2016

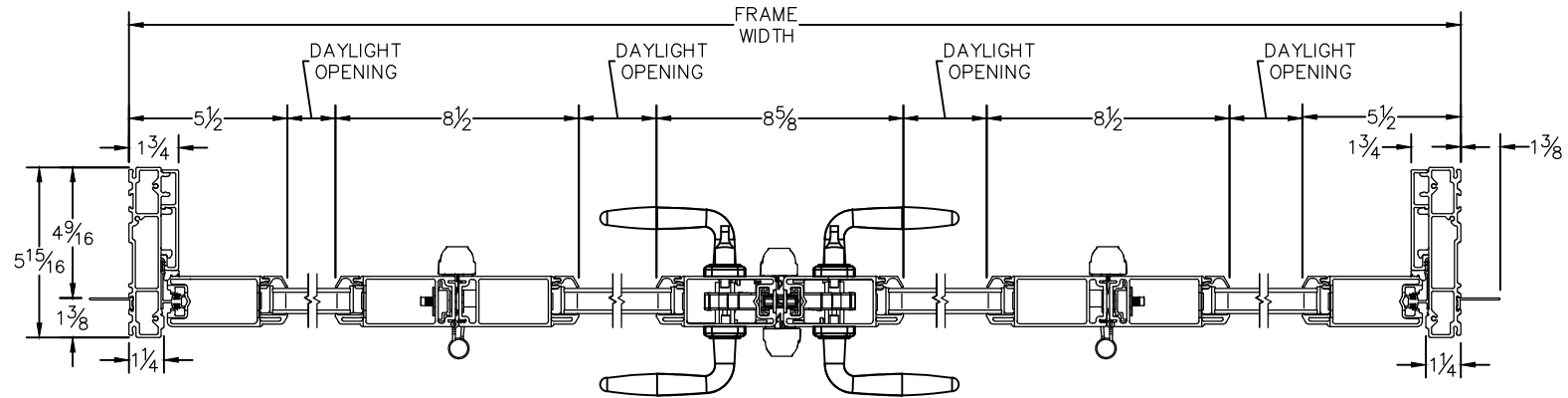
MORE TECHNICAL DOCUMENTS CAN BE FOUND AT [MILGARD.COM/PROFESSIONALS](http://MILGARD.COM/PROFESSIONALS)

DUE TO CONTINUAL RESEARCH AND DEVELOPMENT, DETAILS MAY BE CHANGED AT ANY TIME. © 2016 MILGARD MFG.

**OUT SWING**  
**SERIES 3645**



HEAD & SILL



JAMBS