

**CROSS SECTION DRAWING**  
**Ultra French OutSwing Door, 2 Panel w/ Operable Sidelites**  
**2 1/4" Contour Z Bar**



*Clearly the best.*

CAD FILE SCALE  
NTS

VIEW  
HORIZONTAL & VERTICAL

FILE NAME  
Ultra\_3665\_OS\_HAPH\_2.25in-z-bar

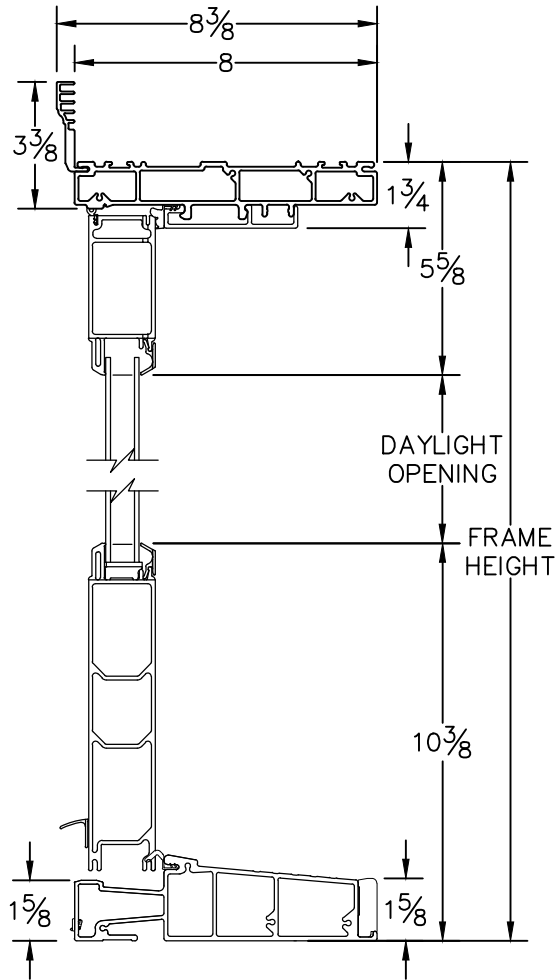
UNITS  
INCH

REVISION  
10/2016

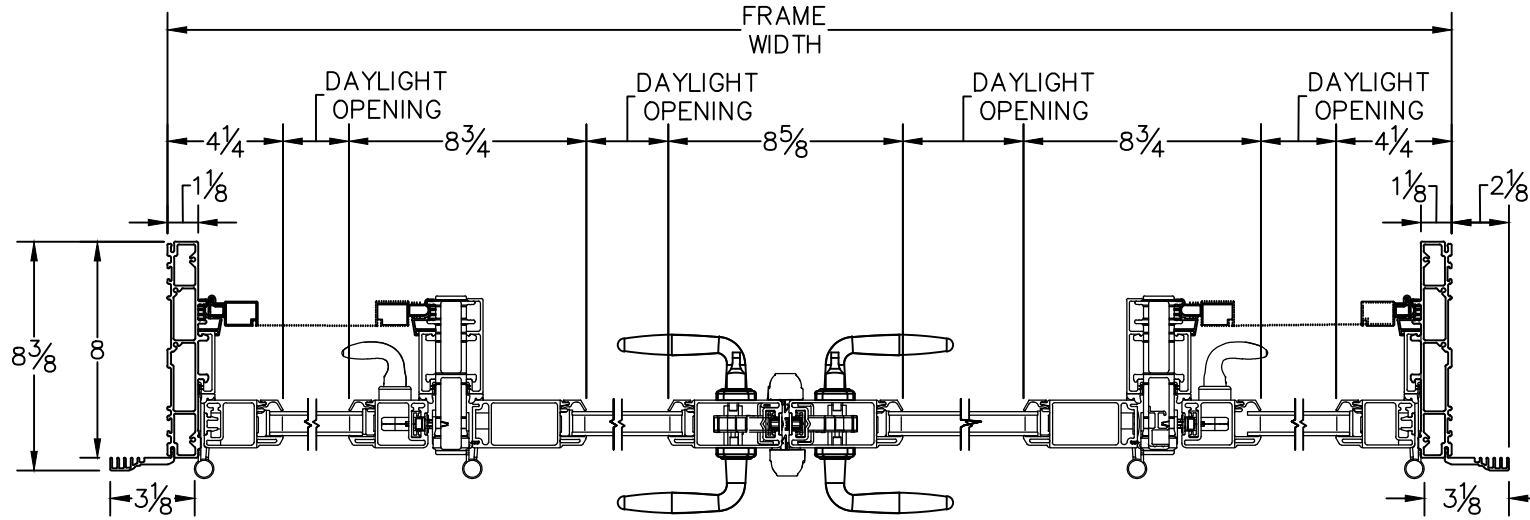
MORE TECHNICAL DOCUMENTS CAN BE FOUND AT [MILGARD.COM/PROFESSIONALS](http://MILGARD.COM/PROFESSIONALS)

DUE TO CONTINUAL RESEARCH AND DEVELOPMENT, DETAILS MAY BE CHANGED AT ANY TIME. © 2016 MILGARD MFG.

**OUTSWING**  
**SERIES 3665**



**HEAD & SILL**



**JAMBS**