

**CROSS SECTION DRAWING**  
**Ultra French OutSwing Door, 3 Panel Operable/Fixed/Fixed**  
**2 1/4" Contour Z Bar**



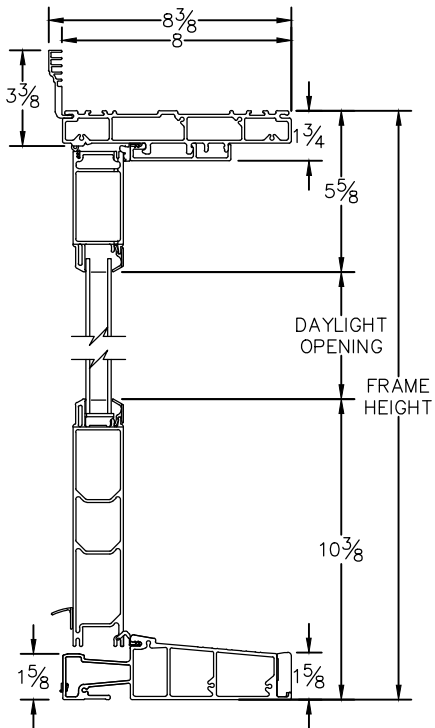
*Clearly the best.*

CAD FILE SCALE	View	FILE NAME	UNITS	REVISION
NTS	HORIZONTAL & VERTICAL	Ultra_3665_OS_LOO_2.25in-z-bar	INCH	07/2016

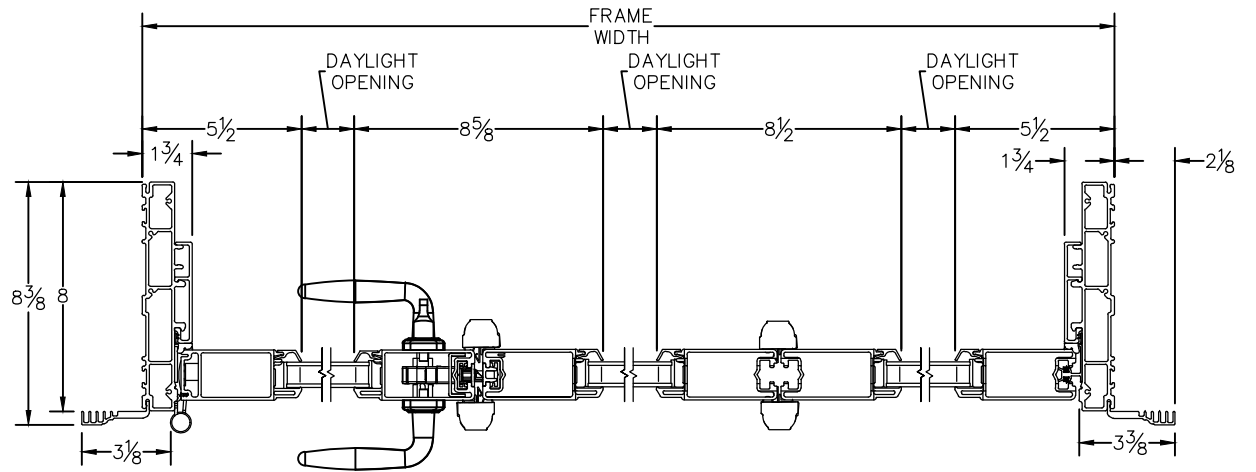
MORE TECHNICAL DOCUMENTS CAN BE FOUND AT [MILGARD.COM/PROFESSIONALS](http://MILGARD.COM/PROFESSIONALS)

DUE TO CONTINUAL RESEARCH AND DEVELOPMENT, DETAILS MAY BE CHANGED AT ANY TIME. © 2016 MILGARD MFG.

**OUT SWING**  
**SERIES 3665**



**HEAD & SILL**



**JAMBS**