

Cross Section Drawing
Aluminum Single Hung
Block Frame



CAD File Scale
NTS

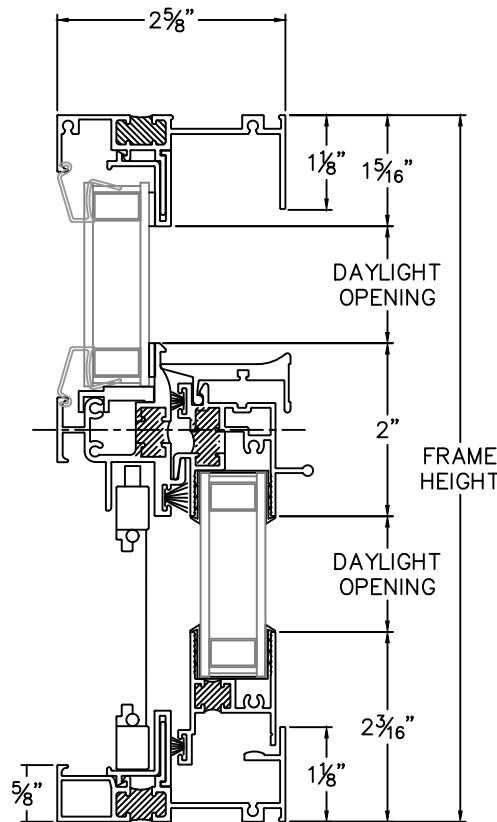
View
Horizontal & Vertical

File Name
Aluminum_TIE_1520_SH_block

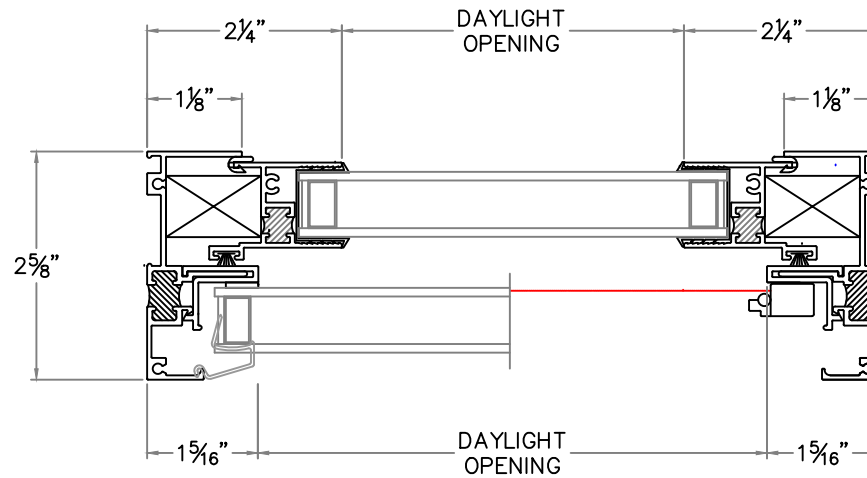
Units
Inch

More Technical Documents can be found at milgard.com/professionals
 Due to continual research and development, details may be changed at any time. ©2018 Milgard Mfg.

HORIZONTAL SLIDER
SERIES 1520



HEAD & SILL



JAMBS