

Cross Section Drawing

StyleLine Double Single Hung 1 3/8" Nailfin Setback Frame



Clearly the best.™

CAD File Scale
NTS

View
Horizontal & Vertical

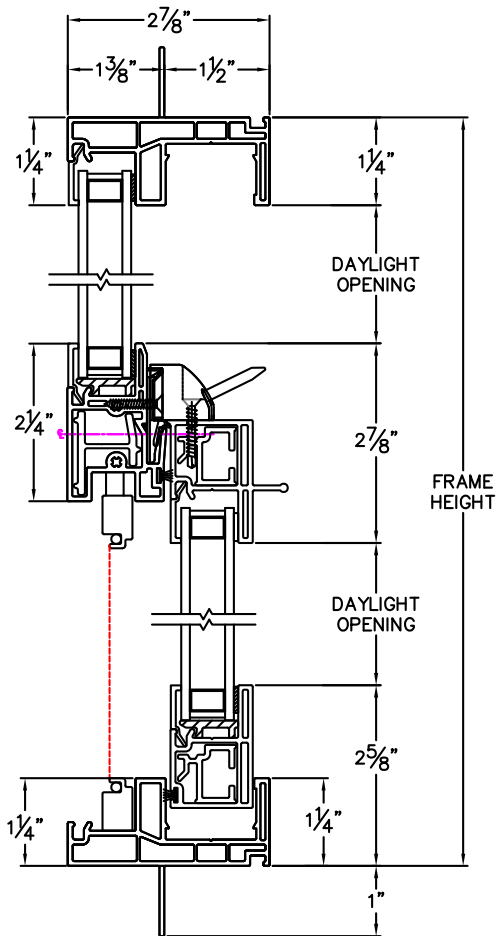
File Name
StyleLine 6210 DSH 1.375in

Units
Inch

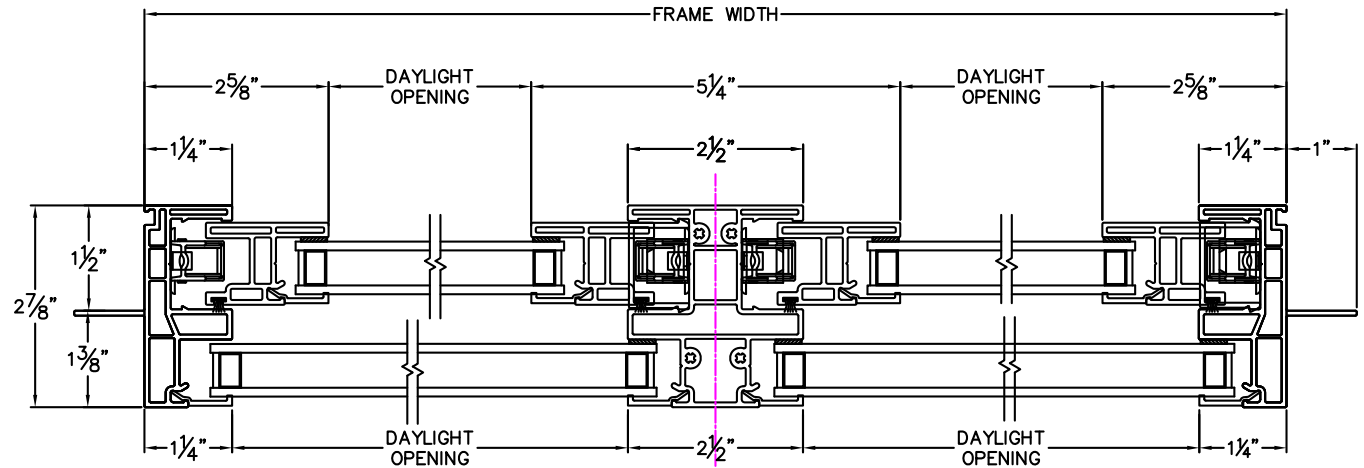
More Technical Documents can be found at milgard.com/professionals

Due to continual research and development, details may be changed at any time. ©2013 Milgard Mfg.

SINGLE HUNG SERIES 6210



HEAD & SILL



JAMBS