

Cross Section Drawing

Ultra Single Hung Window Block Frame with Sloped Sill Adapter



Clearly the best.

CAD File Scale
NTS

View
Horizontal & Vertical

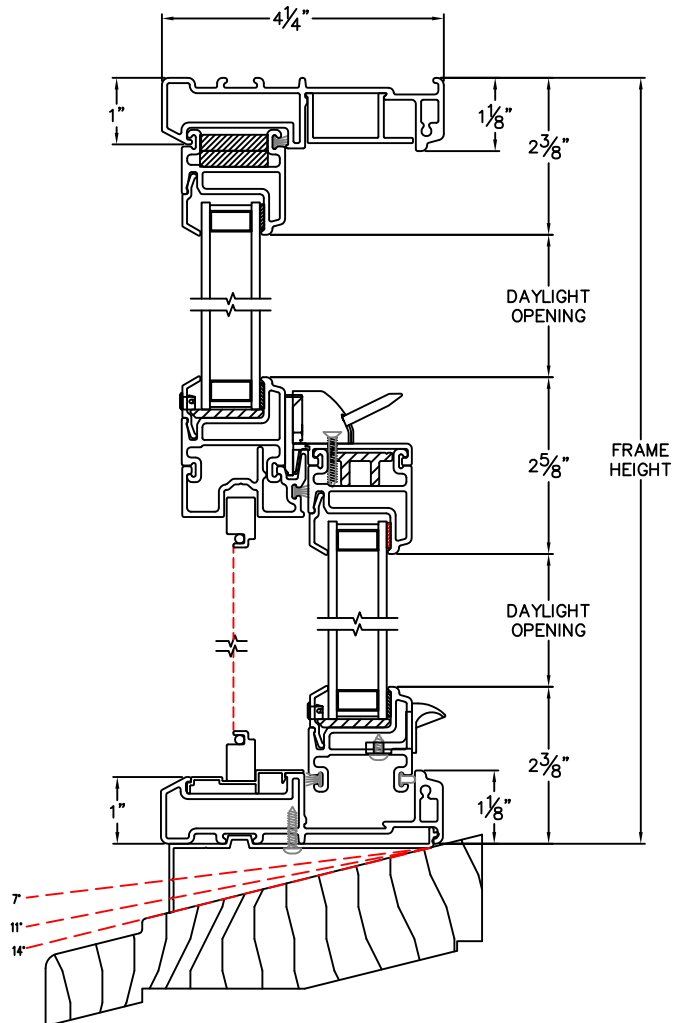
File Name
Ultra 3210U_SH_block_sloped-sill-adapter

Units
Inch

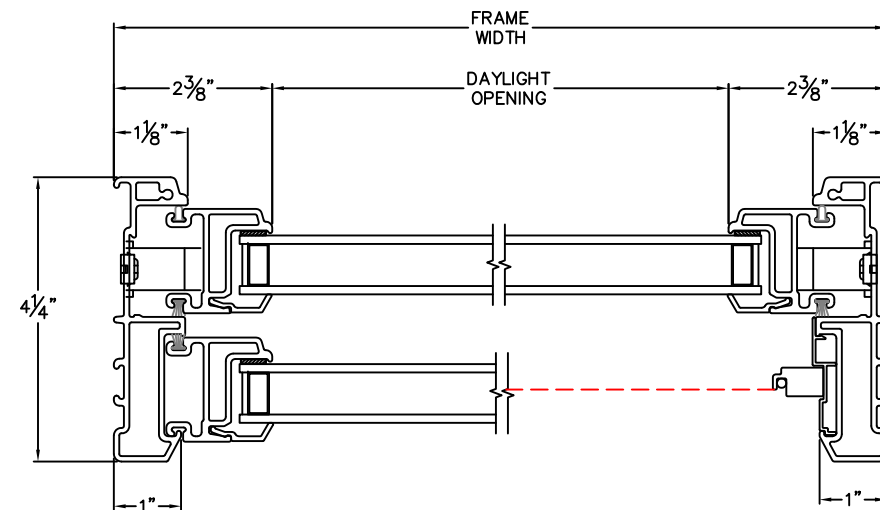
More Technical Documents can be found at milgard.com/professionals

Due to continual research and development, details may be changed at any time. ©2013 Milgard Mfg.

SINGLE HUNG SERIES 3210



HEAD & SILL



JAMBS