

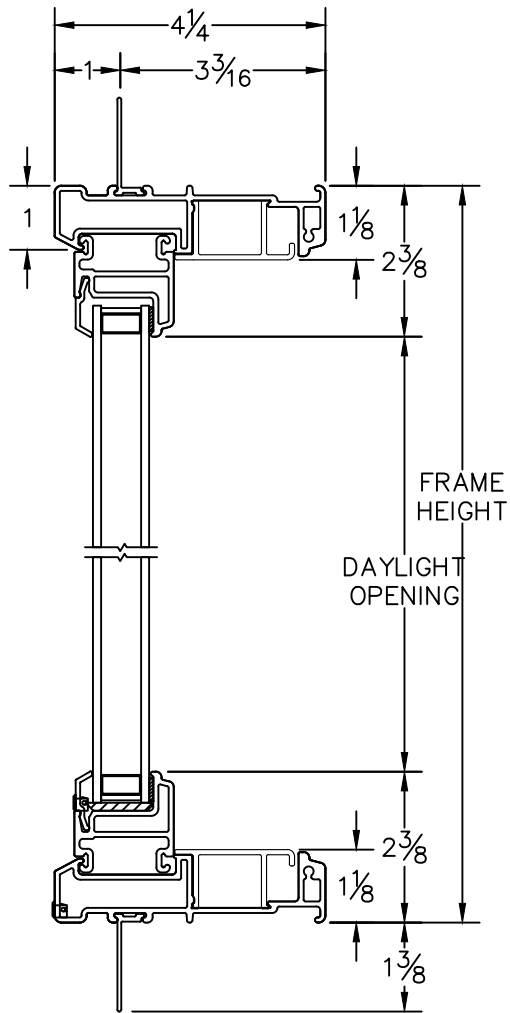
**CROSS SECTION DRAWING**  
**Ultra Picture Window Retro Muller to Ultra Picture Window Retro**  
**1" Nailfin Setback**



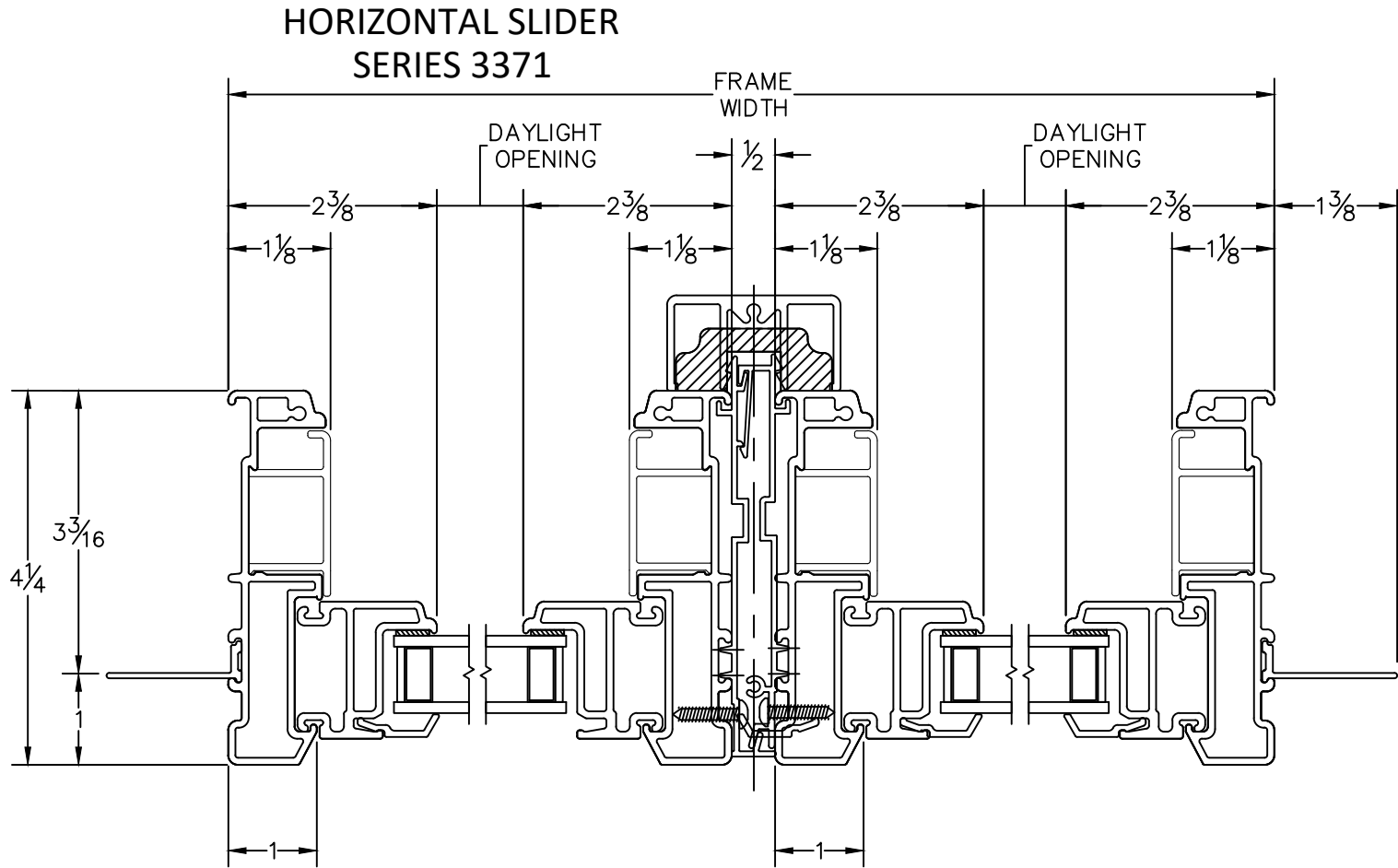
CAD FILE SCALE	VIEW	FILE NAME	UNITS	REVISION
NTS	HORIZONTAL & VERTICAL	Ultra_3371_PWR2W-mulled_1in	INCH	09/2023

MORE TECHNICAL DOCUMENTS CAN BE FOUND AT [MILGARD.COM/PROFESSIONALS](http://MILGARD.COM/PROFESSIONALS)

DUE TO CONTINUAL RESEARCH AND DEVELOPMENT, DETAILS MAY BE CHANGED AT ANY TIME. © 2023 MILGARD MFG.



HEAD & SILL



JAMBS