

## Cross Section Drawing

# StyleLine Double Vent Horizontal Slider Window 1" Fin Setback



Clearly the best.™

CAD File Scale  
NTS

View  
Horizontal & Vertical

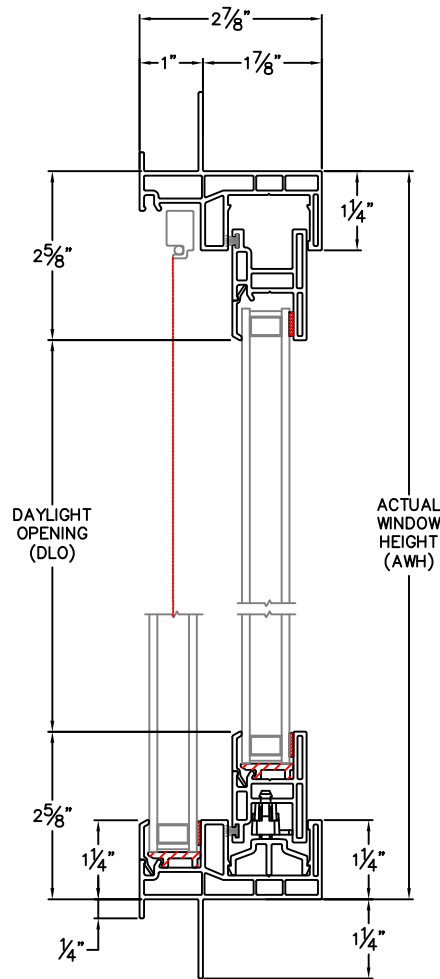
File Name  
6130 DS

Units  
Inch

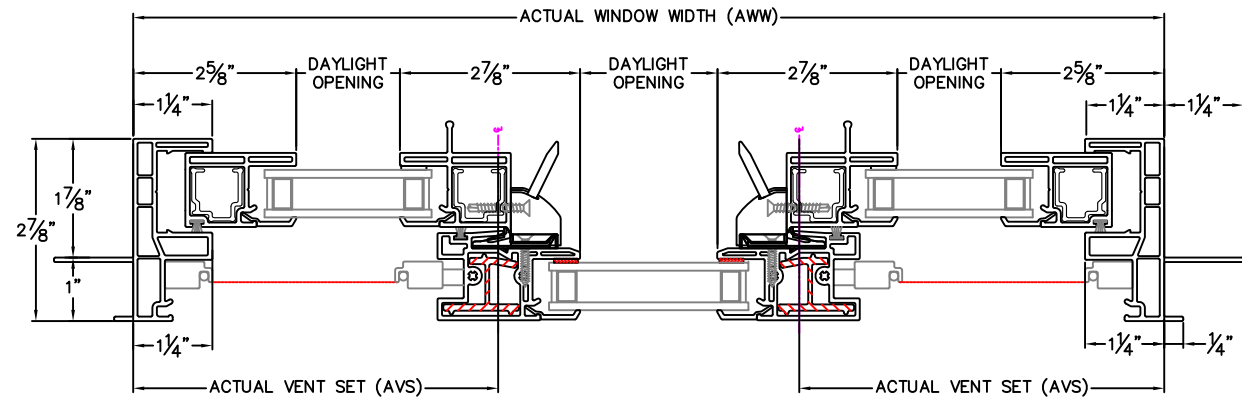
More Technical Documents can be found at [milgard.com/professionals](http://milgard.com/professionals)

Due to continual research and development, details may be changed at any time. ©2013 Milgard Mfg.

## DOUBLE VENT HORIZONTAL SLIDER SERIES 6130



HEAD & SILL



JAMBS