

## Cross Section Drawing

# StyleLine Single Hung Window 1" Fin Set Back W/ Stucco Key

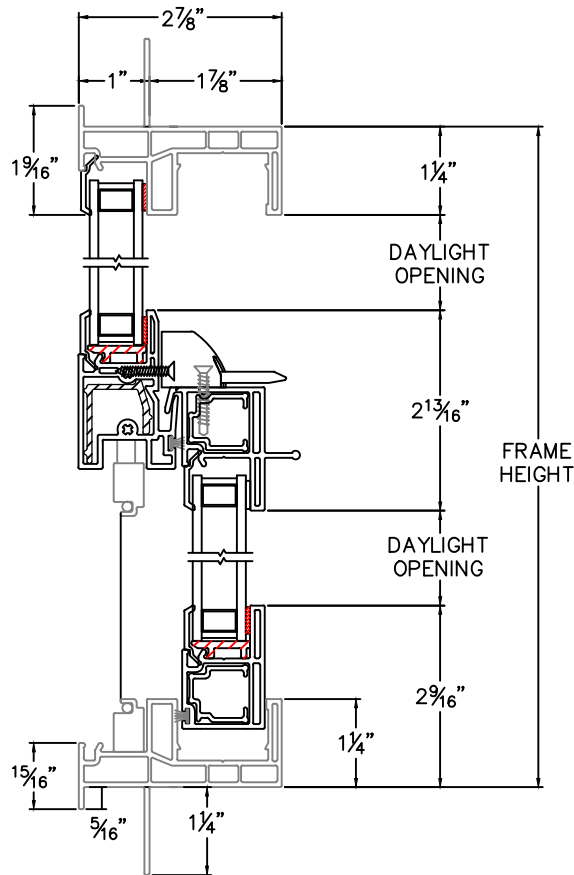


*Clearly the best.™*

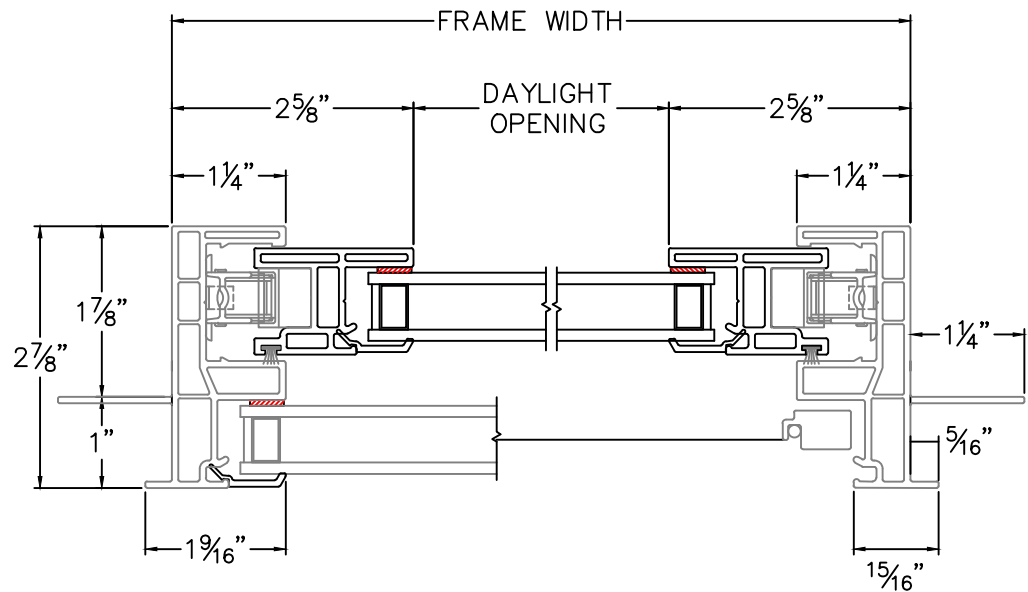
CAD File Scale	View	File Name	Units
NTS	Horizontal & Vertical	6230-01SH	Inch

More Technical Documents can be found at [milgard.com/professionals](http://milgard.com/professionals)  
 Due to continual research and development, details may be changed at any time. ©2013 Milgard Mfg.

## SINGLE HUNG SERIES 6230



HEAD & SILL



JAMBS