

Cross Section Drawing

Ultra Full Casement Window 1" Fin Setback



CAD File Scale
NTS

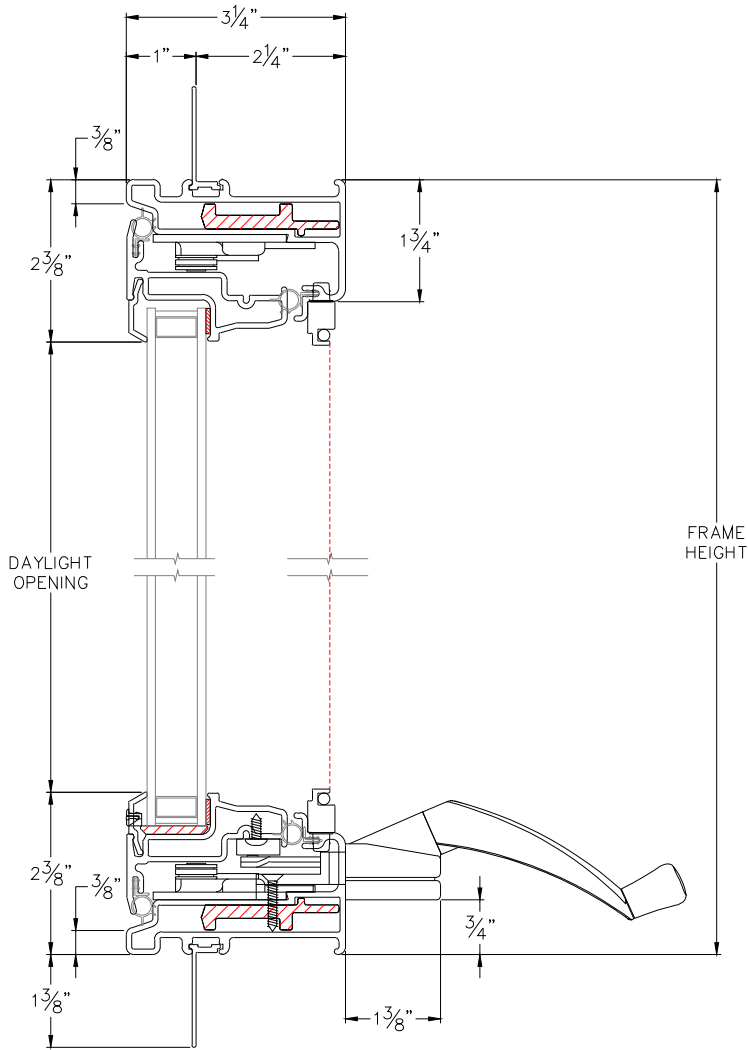
View
Horizontal & Vertical

File Name
3510U-03 FC

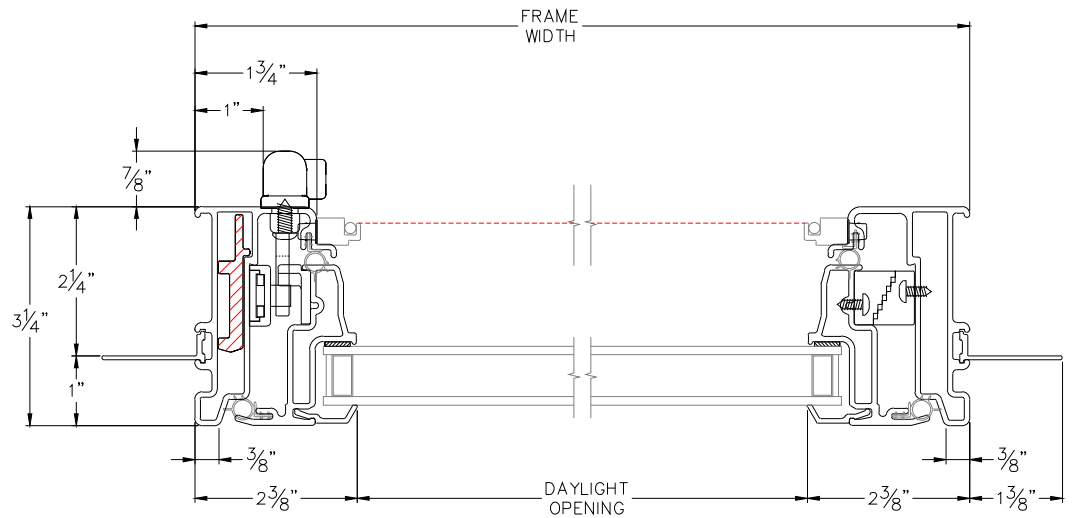
Units
Inch

More Technical Documents can be found at milgard.com/professionals
Due to continual research and development, details may be changed at any time. ©2013 Milgard Mfg.

CASEMENT SERIES 3510



HEAD & SILL



JAMBS