

Cross Section Drawing

Tuscany Outswing Door

1" Nailfin Setback, 4 9/16" Wall Condition

CAD File Scale
NTS

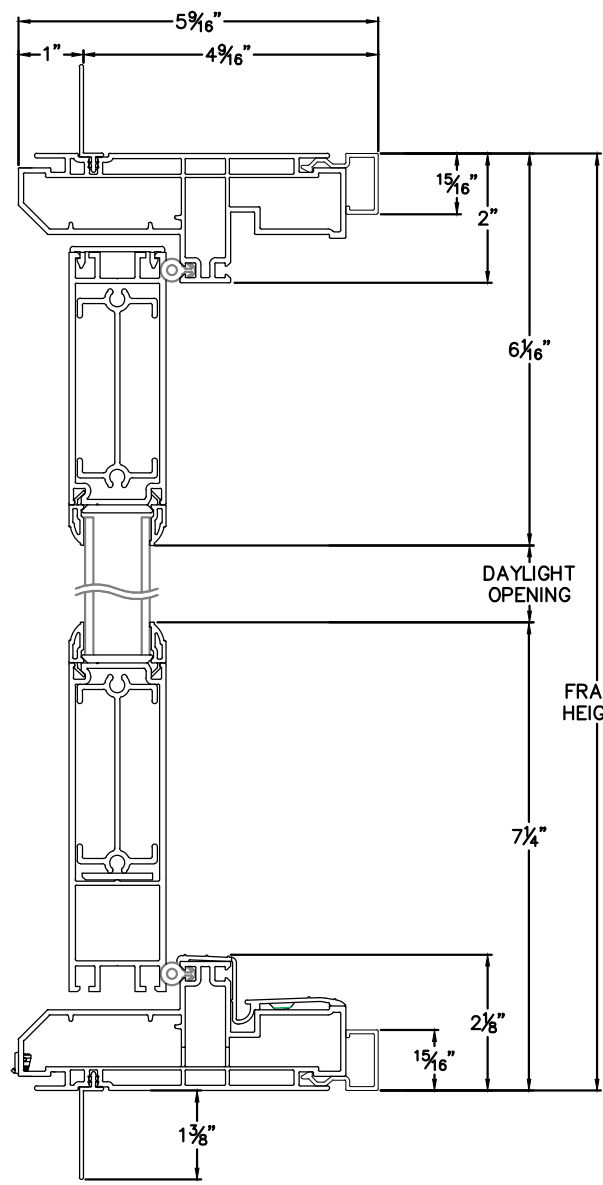
View
Horizontal & Vertical

File Name
Tuscany_8643T_VOS_XX_1in_4.563wall

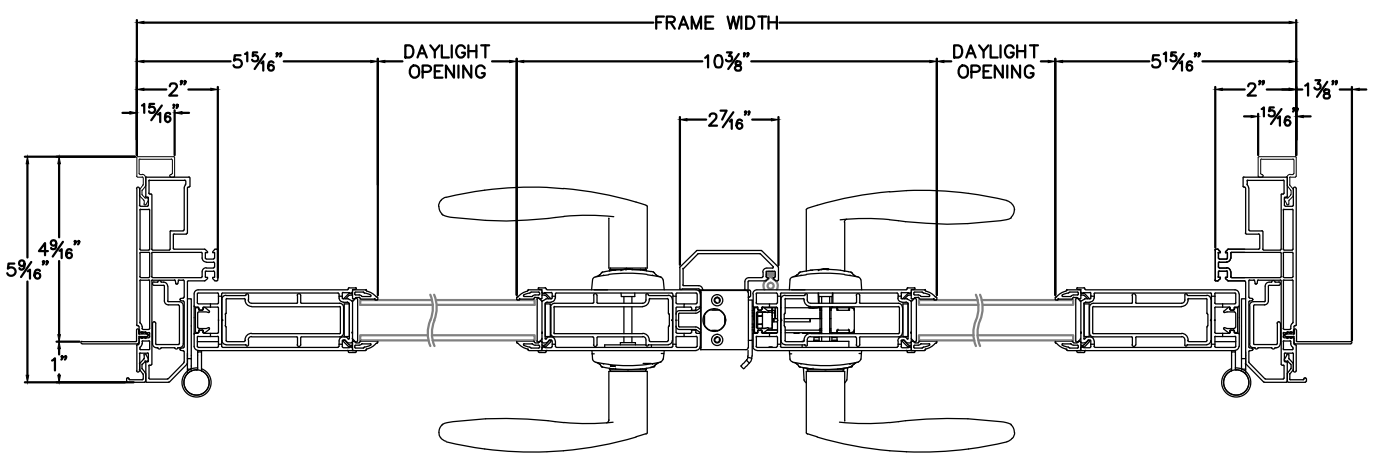
Units
Inch

More Technical Documents can be found at milgard.com/professionals
Due to continual research and development, details may be changed at any time. ©2013 Milgard Mfg.

OUTSWING DOOR SERIES 8643



HEAD & SILL



JAMBS