

# Cross Section Drawing

## Ultra French InSwing Door, 2 Panel Passive/Active, ADA Compliant 2 1/4" Contour Z Bar

CAD File Scale  
NTS

View  
Horizontal & Vertical

File Name  
Ultra\_3942\_IS\_low\_sill\_ADA\_AP\_2.25in\_z-bar

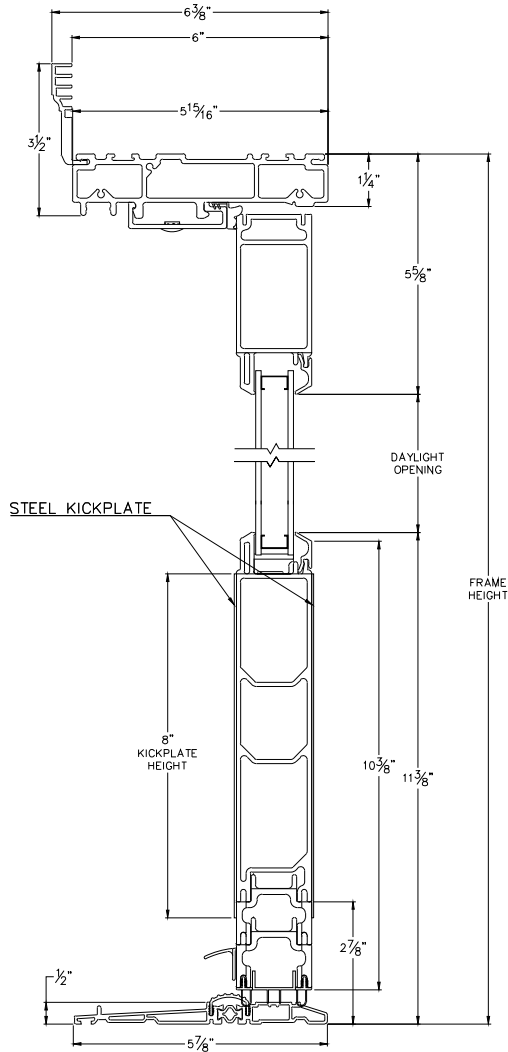
Units  
Inch

Revision  
06/2016

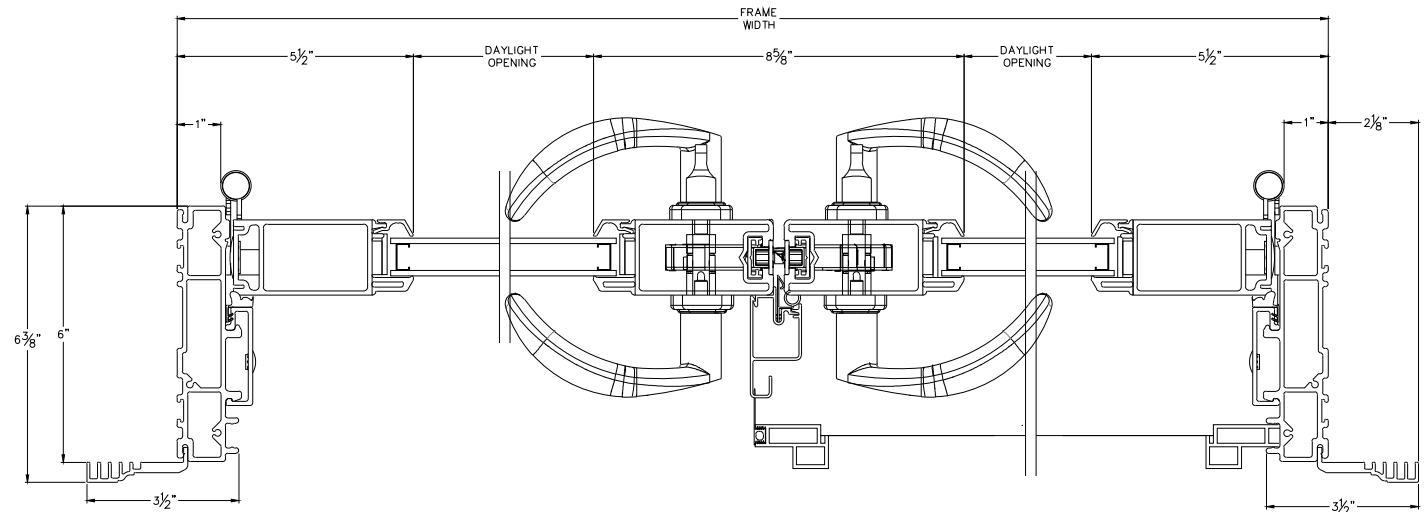
More Technical Documents can be found at [milgard.com/professionals](http://milgard.com/professionals)  
Due to continual research and development, details may be changed at any time. ©2013 Milgard Mfg.

### IN SWING SERIES 3942

Shown with ADA Compliant Handle



HEAD & SILL



JAMBS