

# Cross Section Drawing

## StyleLine Full Awning Window 1 3/8" Nailfin Set Back Frame

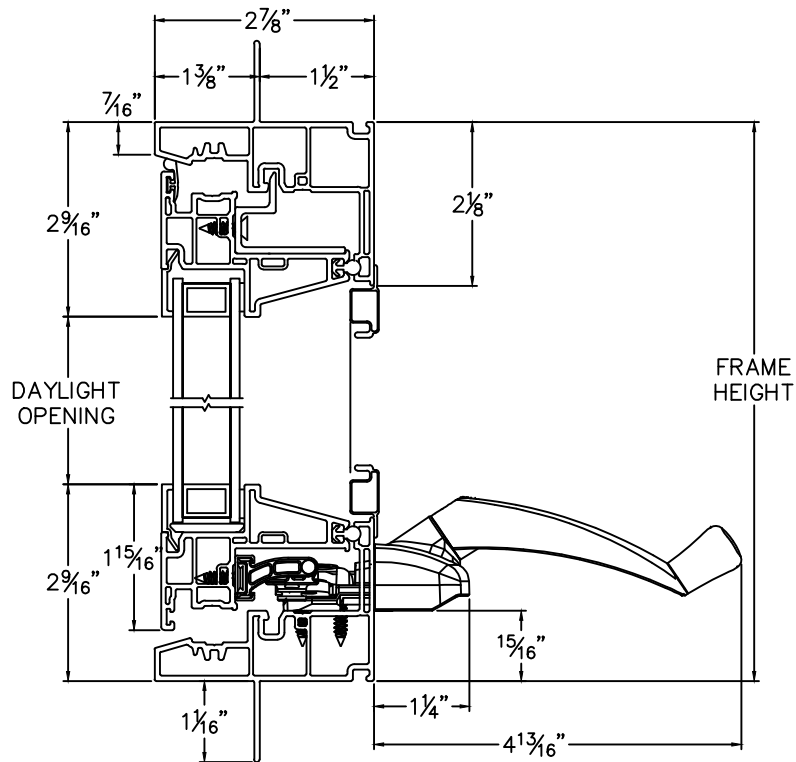


*Clearly the best.™*

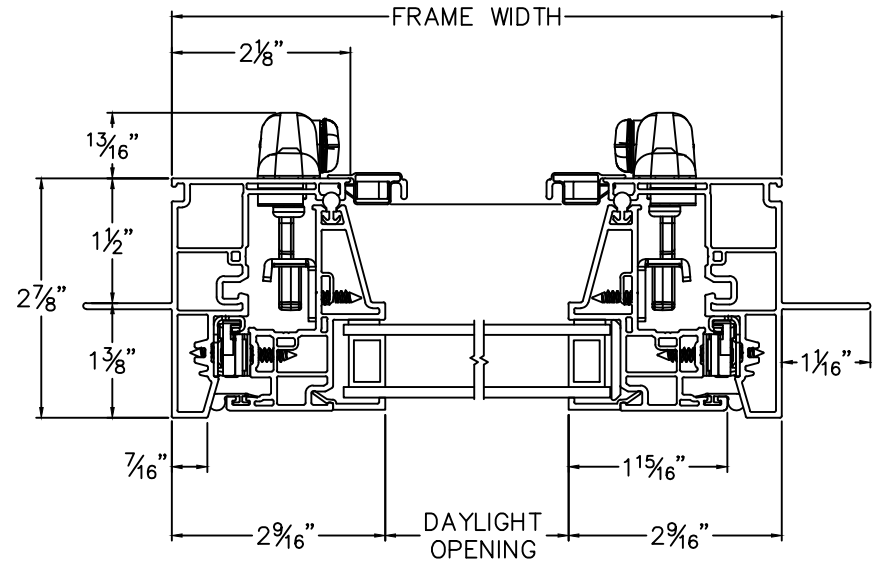
CAD File Scale	View	File Name	Units	Revision
NTS	Horizontal & Vertical	StyleLine_6410_FA_1.375in	Inch	11/2021

More Technical Documents can be found at [milgard.com/professionals](http://milgard.com/professionals)  
 Due to continual research and development, details may be changed at any time. ©2013 Milgard Mfg.

### AWNING SERIES 6410



HEAD & SILL



JAMBS