

Cross Section Drawing

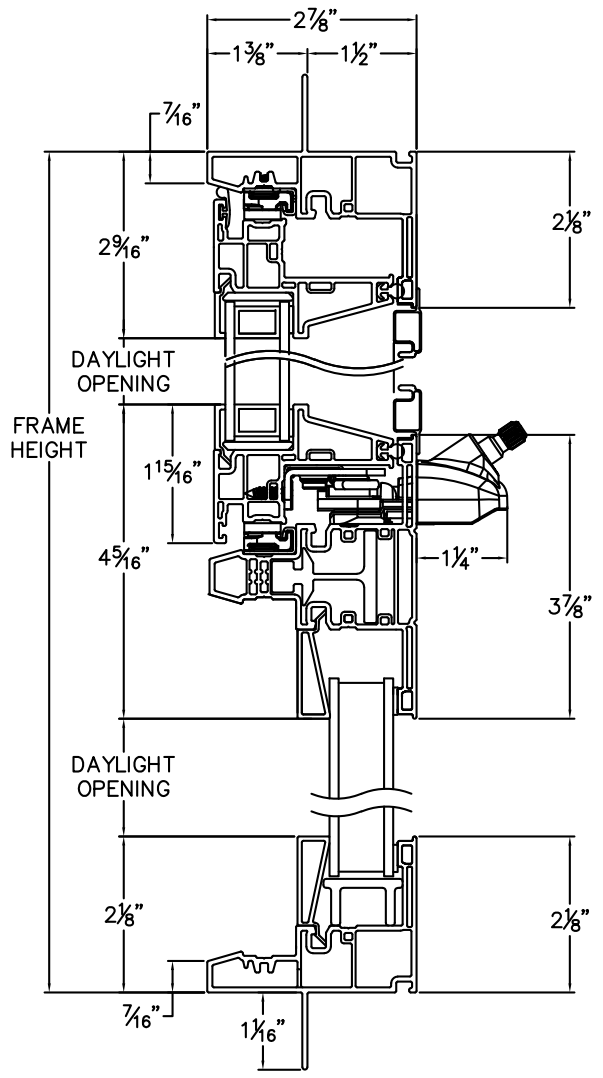
StyleLine Double Top Casement Window 1 3/8" Nailfin Setback Frame



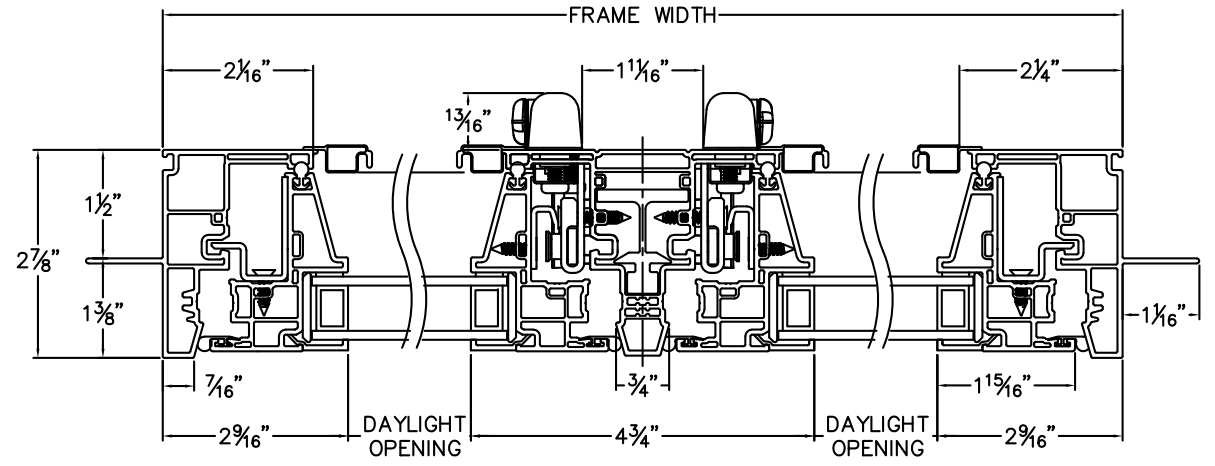
CAD File Scale	View	File Name	Units	Revision
NTS	Horizontal & Vertical	StyleLine_6510_DTC_1.375in	Inch	11/2021

More Technical Documents can be found at milgard.com/professionals
 Due to continual research and development, details may be changed at any time. ©2013 Milgard Mfg.

CASEMENT SERIES 6510



HEAD & SILL



JAMBS

