

## Cross Section Drawing

# StyleLine Double Casement Window 1 1/2" Contour Z-Bar Frame

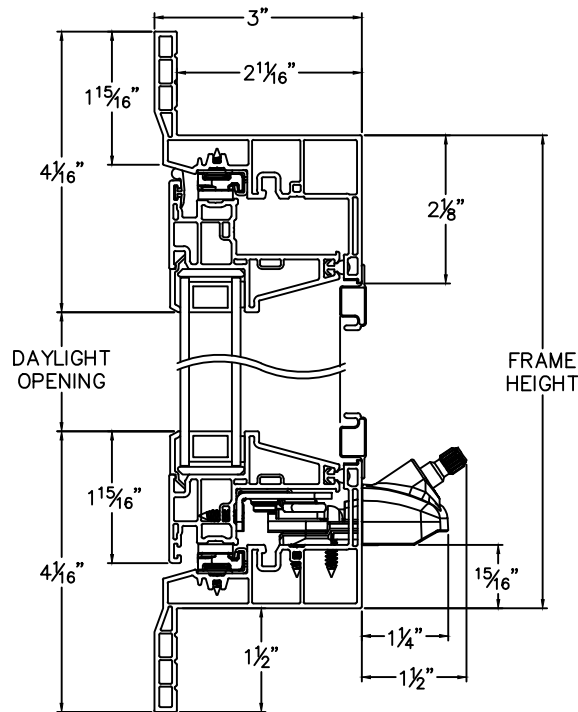


*Clearly the best.™*

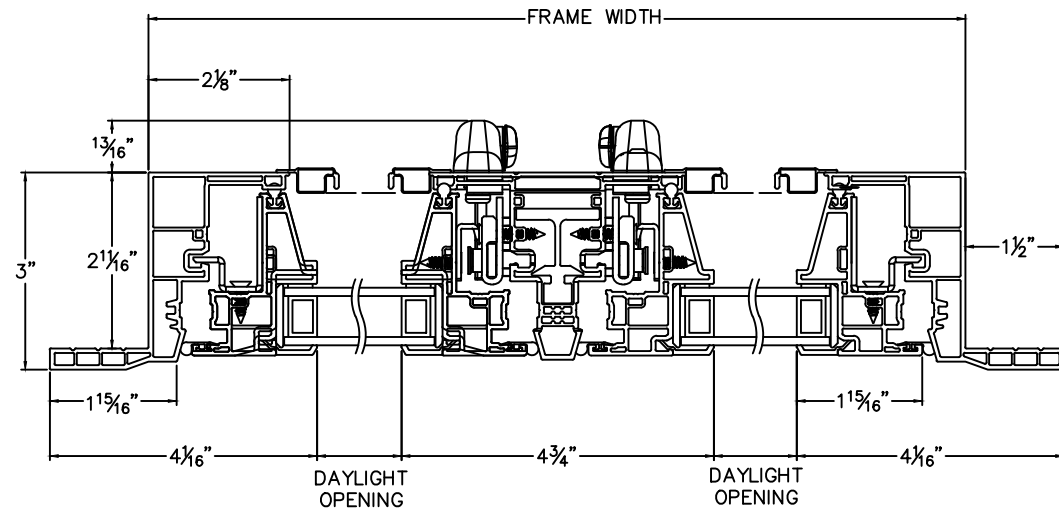
CAD File Scale	View	File Name	Units	Revision
NTS	Horizontal & Vertical	StyleLine_6570_DC_1.5in_z-bar	Inch	11/2021

More Technical Documents can be found at [milgard.com/professionals](http://milgard.com/professionals)  
 Due to continual research and development, details may be changed at any time. ©2013 Milgard Mfg.

## DOUBLE CASEMENT SERIES 6570



HEAD & SILL



JAMBS