

Cross Section Drawing

Trinsic Picture Window in Casement Frame Block Frame



Clearly the best.™

CAD File Scale
NTS

View
Horizontal & Vertical

File Name
Trinsic_2350_CADG_block

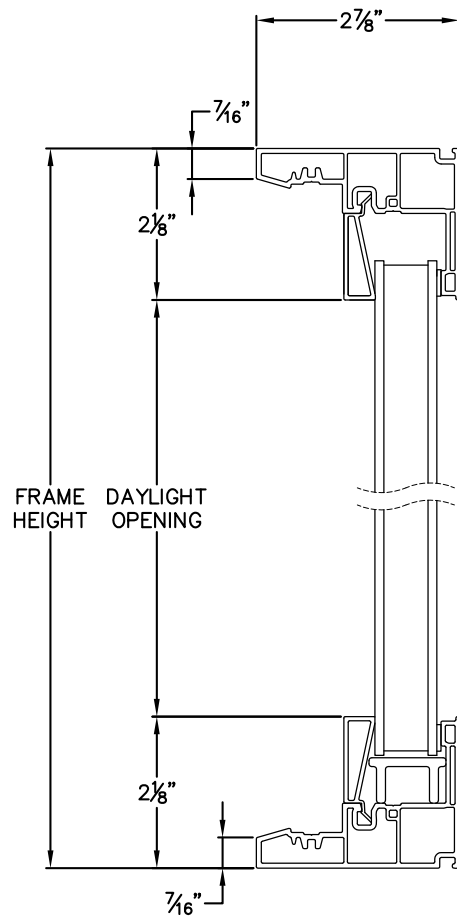
Units
Inch

Revision
8/2018

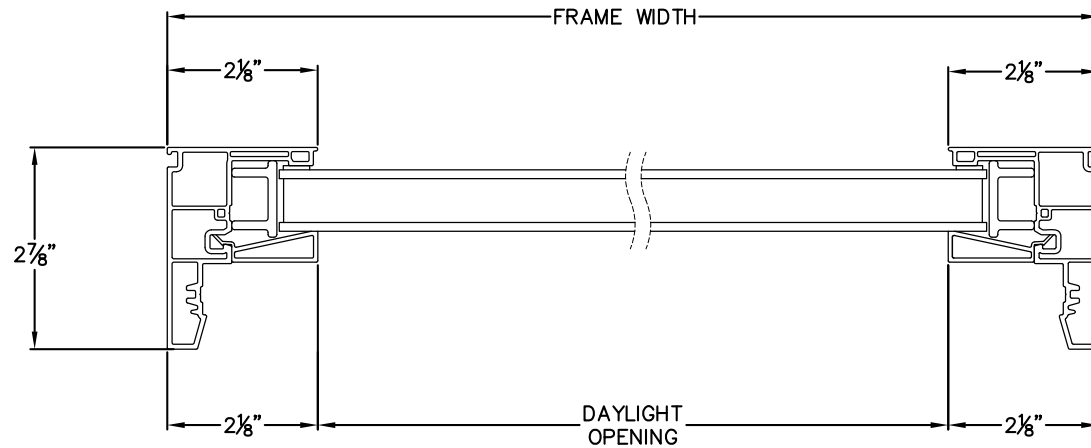
More Technical Documents can be found at milgard.com/professionals

Due to continual research and development, details may be changed at any time. ©2018 Milgard Mfg.

CASEMENT PICTURE WINDOW SERIES 2350



HEAD & SILL



JAMBS