

Cross Section Drawing

Trinsic Picture Window, 2 Lites Vertical in Casement Frame 1 1/2" Contour Z-Bar Frame

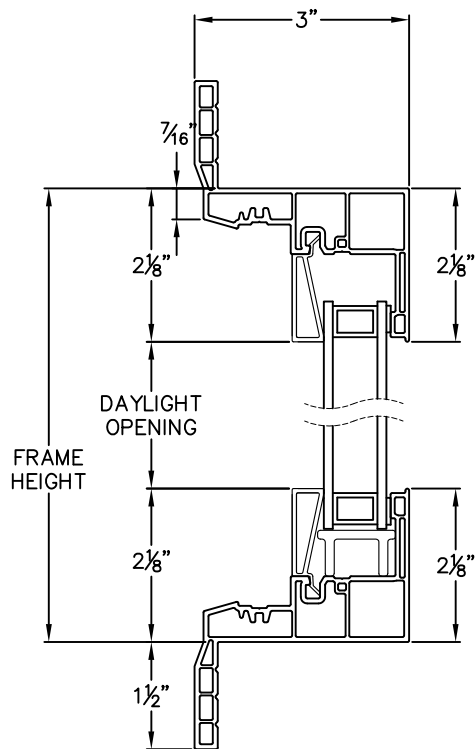


Clearly the best.™

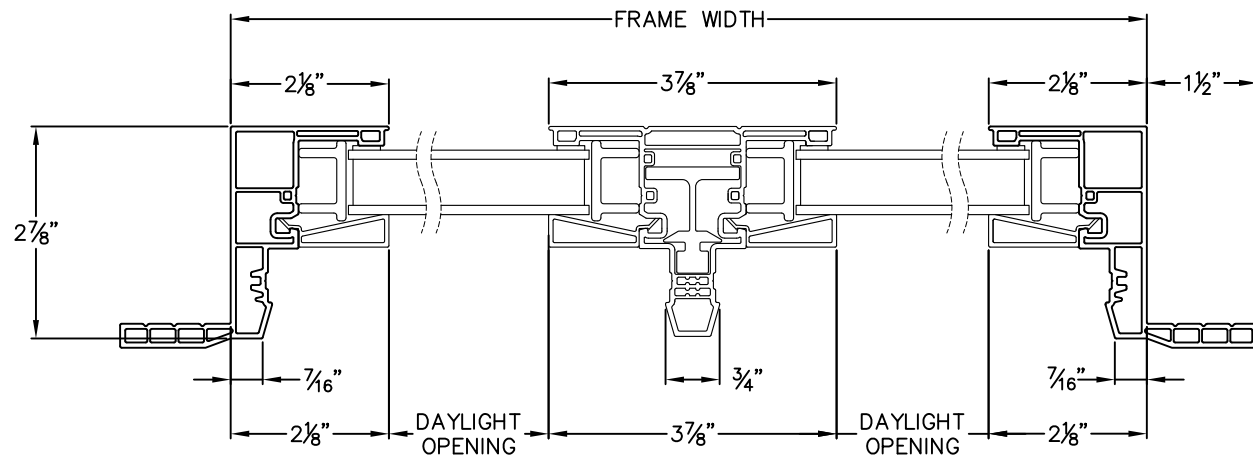
CAD File Scale	View	File Name	Units	Revision
NTS	Horizontal & Vertical	Trinsic_2375_PW2VCA_1.5in_z-bar	Inch	8/2018

More Technical Documents can be found at milgard.com/professionals
Due to continual research and development, details may be changed at any time. ©2018 Milgard Mfg.

PICTURE WINDOW SERIES 2375



HEAD & SILL



JAMBS