

Cross Section Drawing

Trinsic Double Awning Window

1 3/8" Nailfin Setback Frame with Stucco Key



Clearly the best.™

CAD File Scale
NTS

View
Horizontal & Vertical

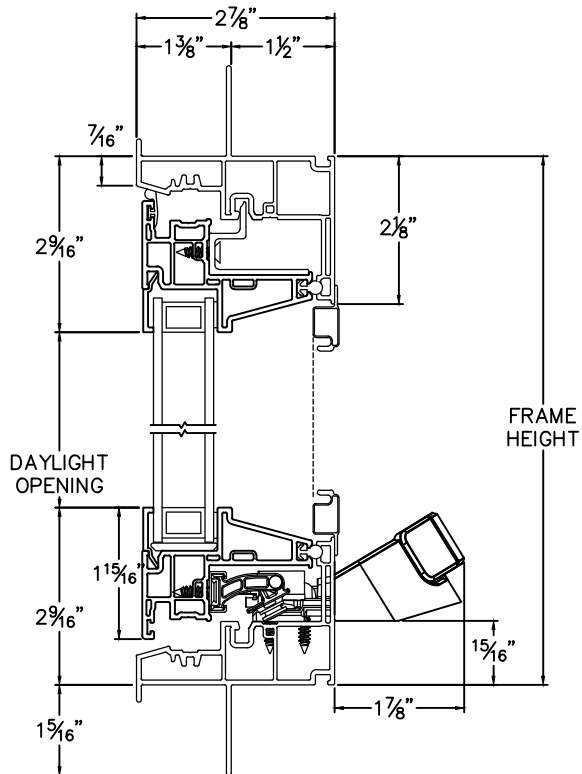
File Name
Trinsic_2411_DA_1.375in_stucco

Units
Inch

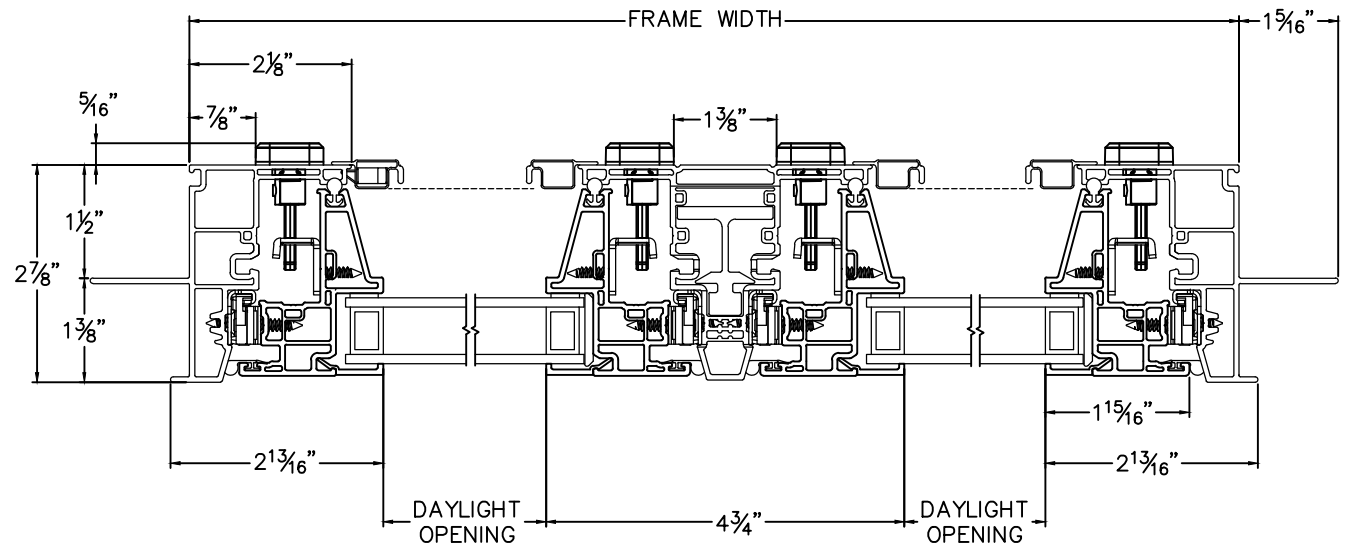
Revision
2/2020

More Technical Documents can be found at milgard.com/professionals
Due to continual research and development, details may be changed at any time. ©2020 Milgard Mfg.

DOUBLE AWNING SERIES 2411



HEAD & SILL



JAMBS