

Cross Section Drawing

Western - VX350 Multi-Slide Stacking Door O2X Block Frame



CAD File Scale
NTS

View
Horizontal & Vertical

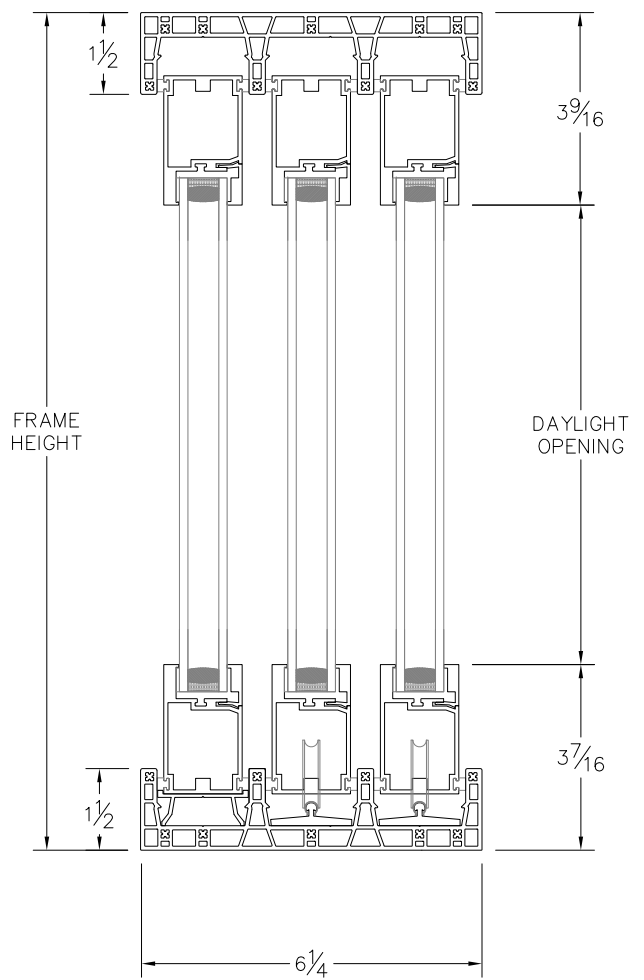
File Name
VX350 Stacking O2X Block Frame

Units
Inch

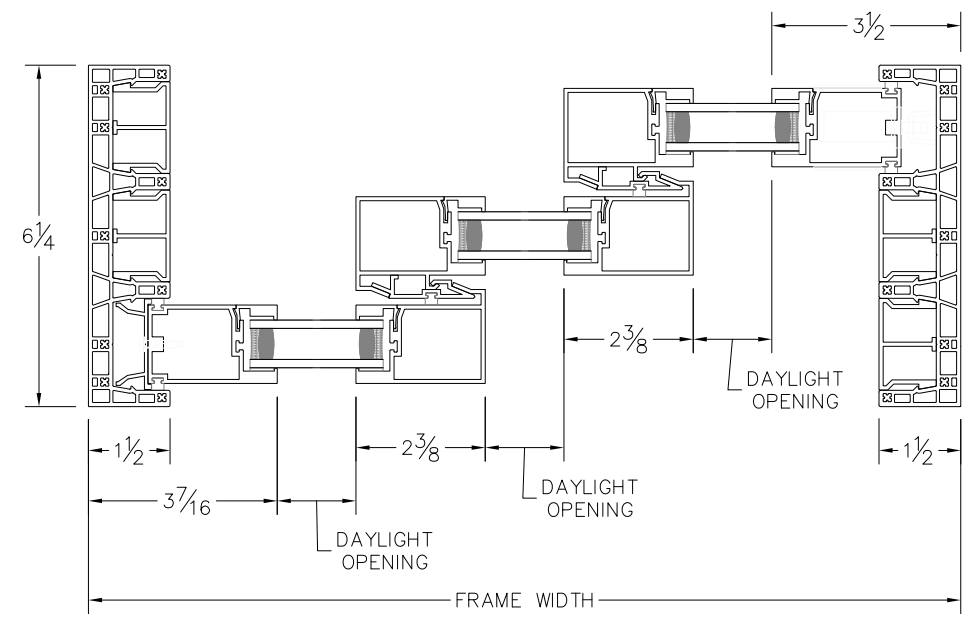
Revision
01/2025

More Technical Documents can be found at milgard.com/professionals
Due to continual research and development, details may be changed at any time. ©2025 Milgard Mfg.

STACKING SERIES 3700



HEAD & SILL



JAMBS