

CAD File Scale  
 NTS

View  
 Horizontal & Vertical

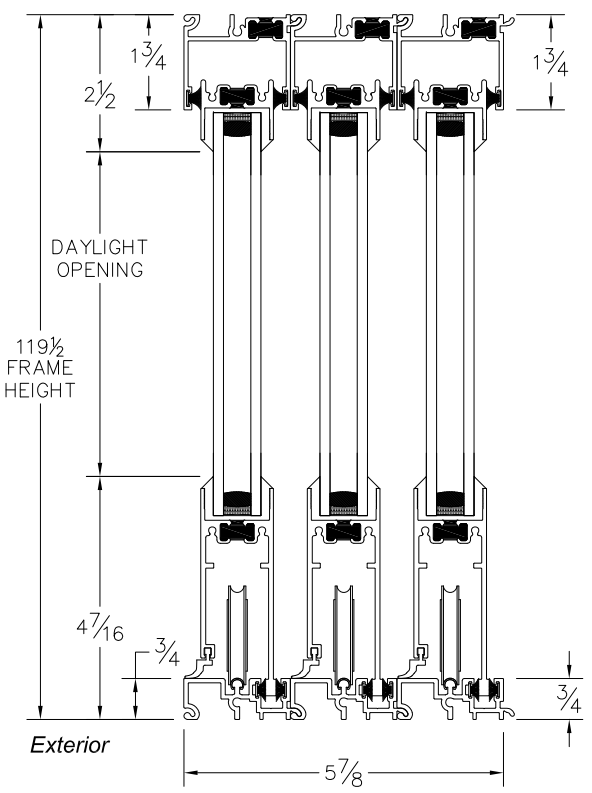
File Name  
 AX450 Pocket P3X FLUSH SILL 90100

Units  
 Inch

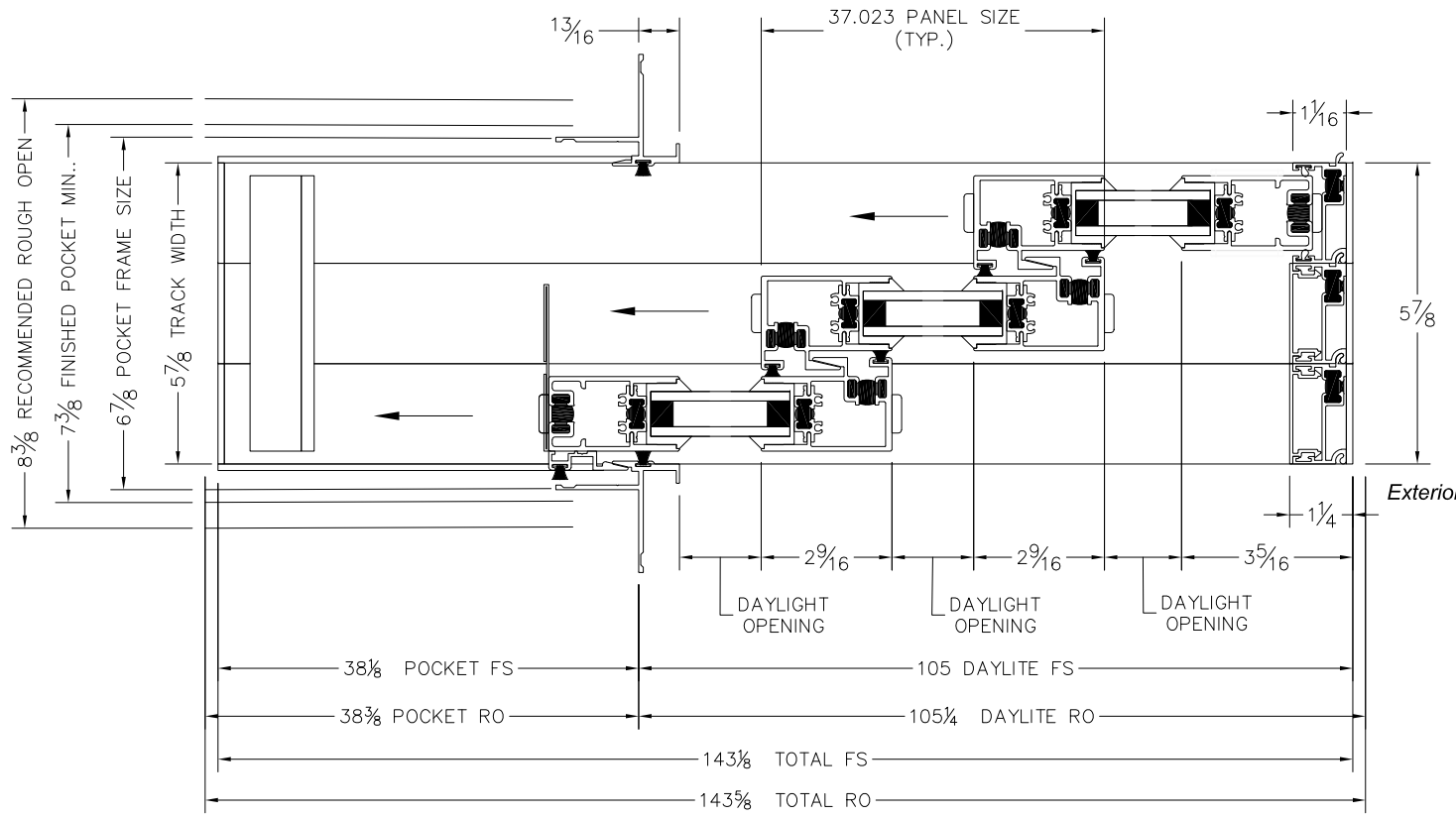
Revision  
 03/2025

More Technical Documents can be found at [milgard.com/professionals](http://milgard.com/professionals)  
 Due to continual research and development, details may be changed at any time. ©2025 Milgard Mfg.

**POCKET**



**HEAD & SILL**



**JAMBS**