

Cross Section Drawing

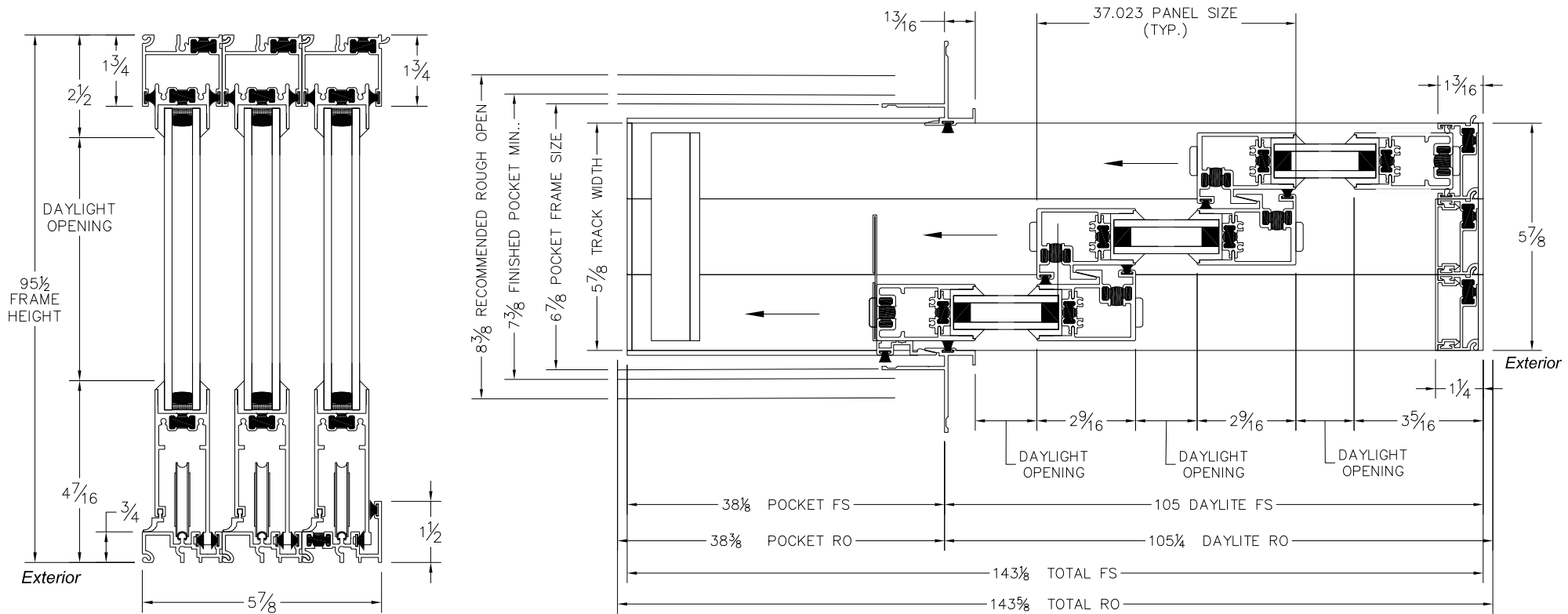
VX450 Multi-Slide Pocket Door, 9080 P3X Water Barrier Sill



CAD File Scale	View	File Name	Units	Revision
NTS	Horizontal & Vertical	AX450 Pocket P3X WATER BARRIER SILL 9080	Inch	03/2025

More Technical Documents can be found at milgard.com/professionals
 Due to continual research and development, details may be changed at any time. ©2025 Milgard Mfg.

POCKET



HEAD & SILL

JAMBS