

Cross Section Drawing

AX450 Multi-Slide Stacking Door O1X Flush Sill

CAD File Scale
NTS

View
Horizontal & Vertical

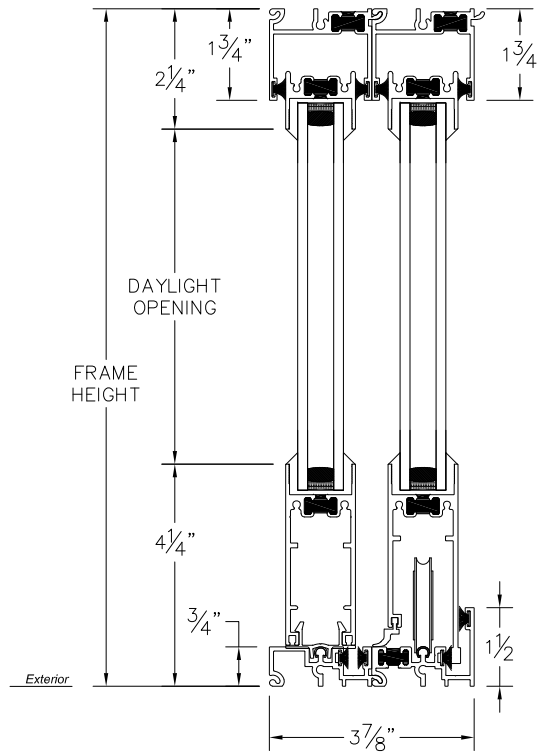
File Name
AX450 Stacking O1X Water Barrier Sill

Units
Inch

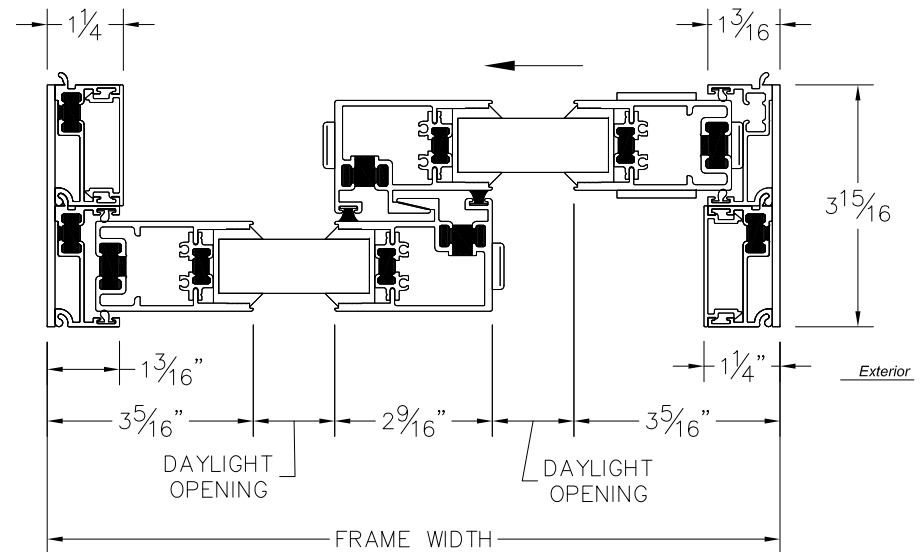
Revision
03/2025

More Technical Documents can be found at milgard.com/professionals
Due to continual research and development, details may be changed at any time. ©2025 Milgard Mfg.

STACKING



HEAD & SILL



JAMBS